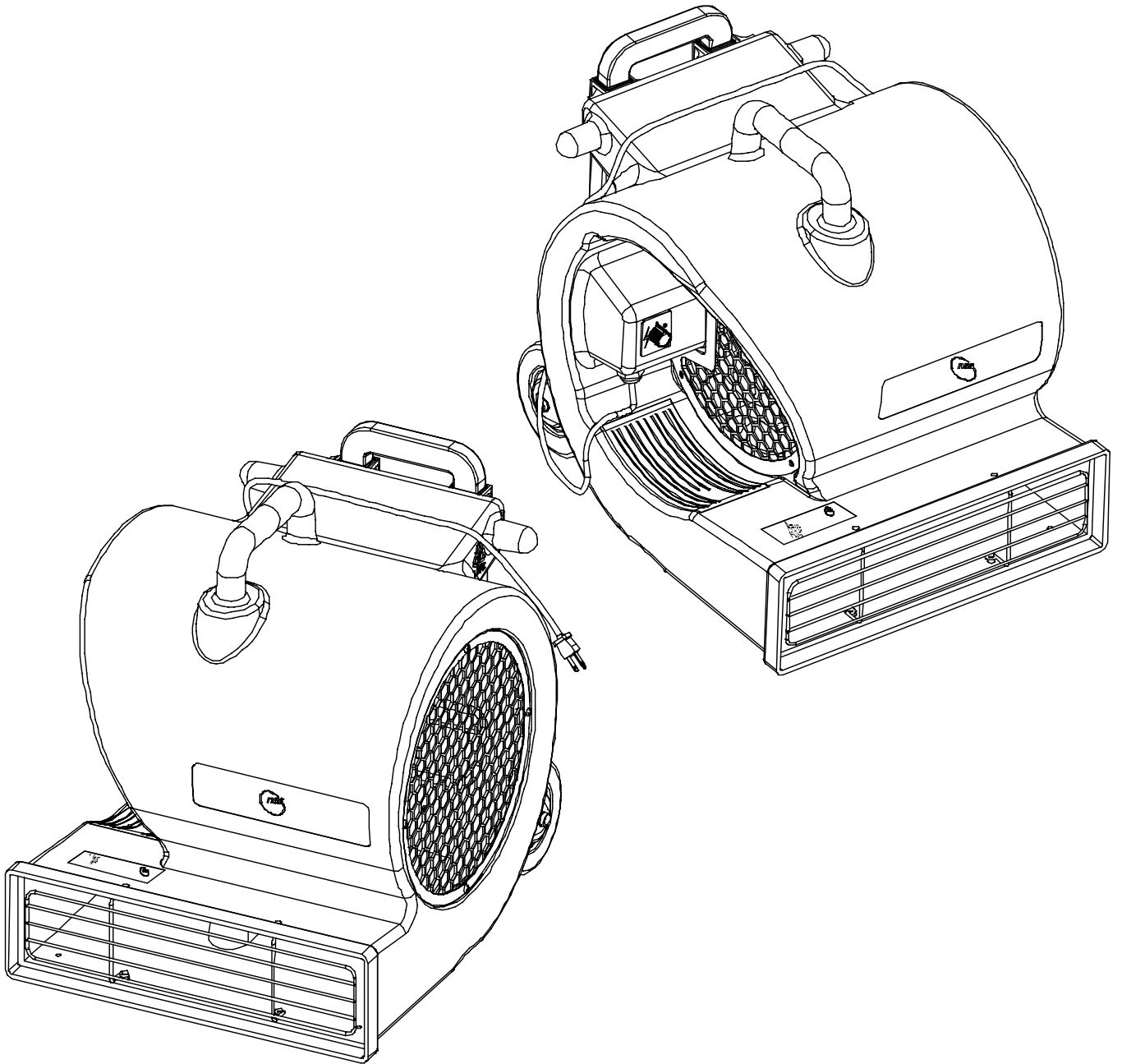
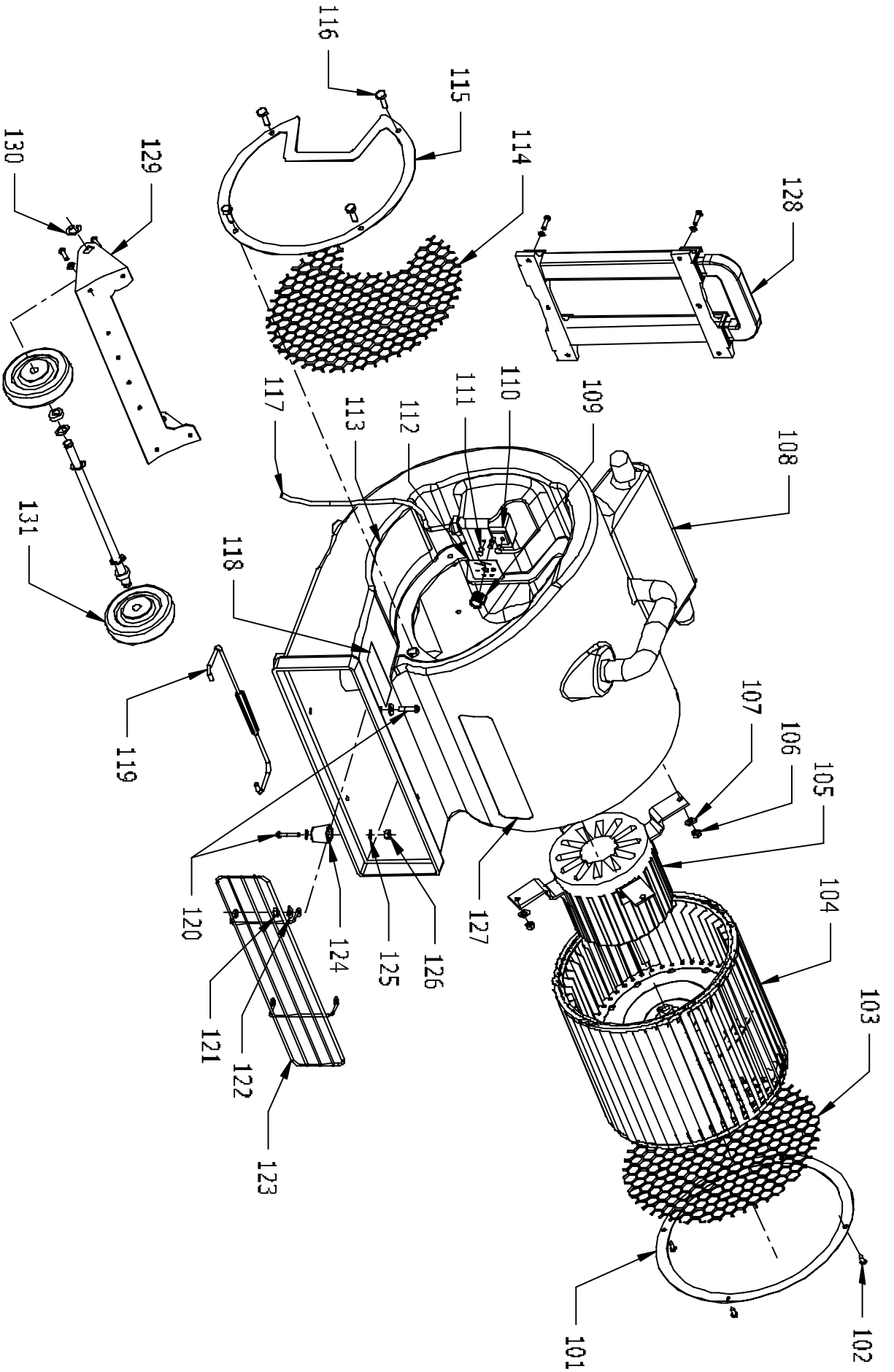
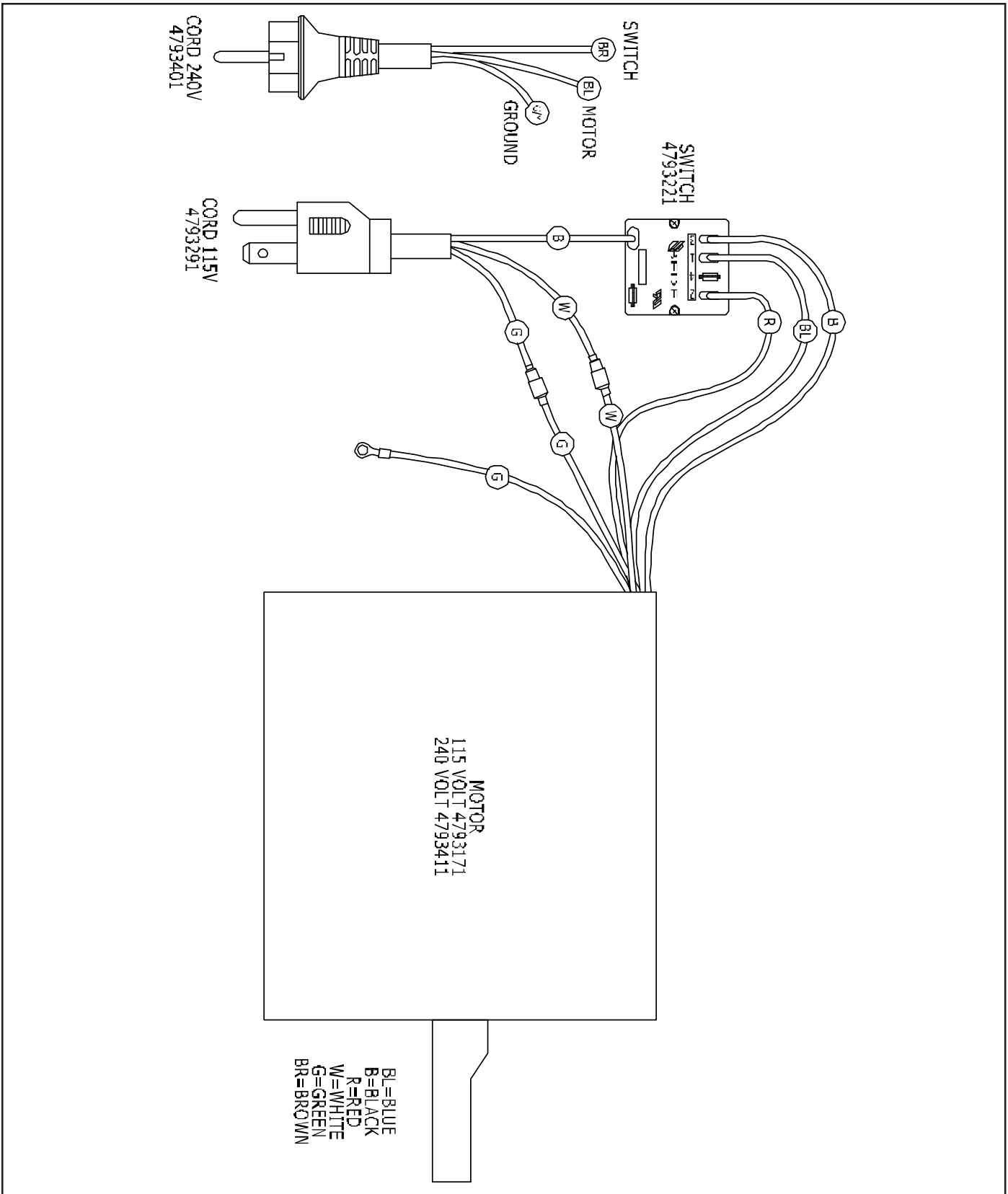


PARTS LIST
AERO PLUS



ITEM	PART NO.	PART DESCRIPTION	QTY
101	4793131	GUARD RING, LEFT	1
102	4793141	M4.2 X 9.5 PAN HEAD SHEET METAL SCREW	4
103	4793151	INLET PLATE, LEFT	1
104	4793161	STEEL FAN	1
105	4793171	MOTOR- 120 VOLT- 3 SPEED- 1/2 HP	1
105	4793411	MOTOR- 240 VOLT- 3 SPEED	1
106	9120900	1/4-20 HEX NUT WITH NY-LOCK INSERT - PACK OF 10	4
107	9120930	9/32 I.D. X 5/8 O.D. X .051/.080 THICK FLAT WASHER (1/4) - PACK OF 10	4
108	4793201	HOUSING	1
109	4793211	KNOB, SWITCH	1
110	4793221	ROTARY SWITCH	1
111	4793231	M4 X 10 FLAT HEAD MACHINE SCREW	2
112	4793241	LABEL, SWITCH	1
113	4792331	WARNING DECAL	1
114	4793261	INLET PLATE, RIGHT	1
115	4793271	GUARD RING, RIGHT	1
116	4793281	1/4-20 X 3/4 HEX BOLT	4
117	4793291	POWER CORD 115V	1
117	4793401	POWER CORD 240V	1
118	4792351	NAME IDENTIFICATION LABEL	1
119	4793311	KICKSTAND	1
120	9120450	10-24 X 1 ROUND HEAD PHILLIPS MACHINE SCREW- PACK OF 10	8
121	9120350	10-24 HEX NUT WITH NY-LOCK INERT - PACK OF 10	4
122	9120370	7/32 I.D. X 1/2 O.D. X .032/.065 THICK FLAT WASHER (#10) - PACK OF 10	8
123	4793351	GRILL-OUTLET	1
124	4793361	FEET,RUBBER	4
125	9120370	7/32 I.D. X 1/2 O.D. X .032/.065 THICK FLAT WASHER (#10) - PACK OF 10	8
126	9120350	10-24 HEX NUT WITH NY-LOCK INERT - PACK OF 10	4
127	4792321	NSS LOGO DECAL - 2 X 8	1
128/129	4793011	AERO WHEEL / HANDLE KIT	1
128	4793111	AERO HANDLE KIT	1
129	4793021	AERO WHEEL KIT	1
130	4793031	E-RING	4
131	0393231	WHEEL 5" SOFT GRAY RUBBER	2





NSS Enterprises, Inc.

3115 Frenchmens Road
Toledo, Ohio 43607-2958
USA

PHONE (800)677-1663
(419)531-2121
FAX (419)531-3761
mailto:mailus@nss.com
www.nss.com

NSS Enterprises, Inc. European Distribution Centre

Unit II, Pinfold Trading Estate
55 Nottingham Road
STAPLEFORD, NOTTINGHAM NG9 8AD ENGLAND U.K.

PHONE (44)0115 939 1568
FAX (44) 0115 949 0615