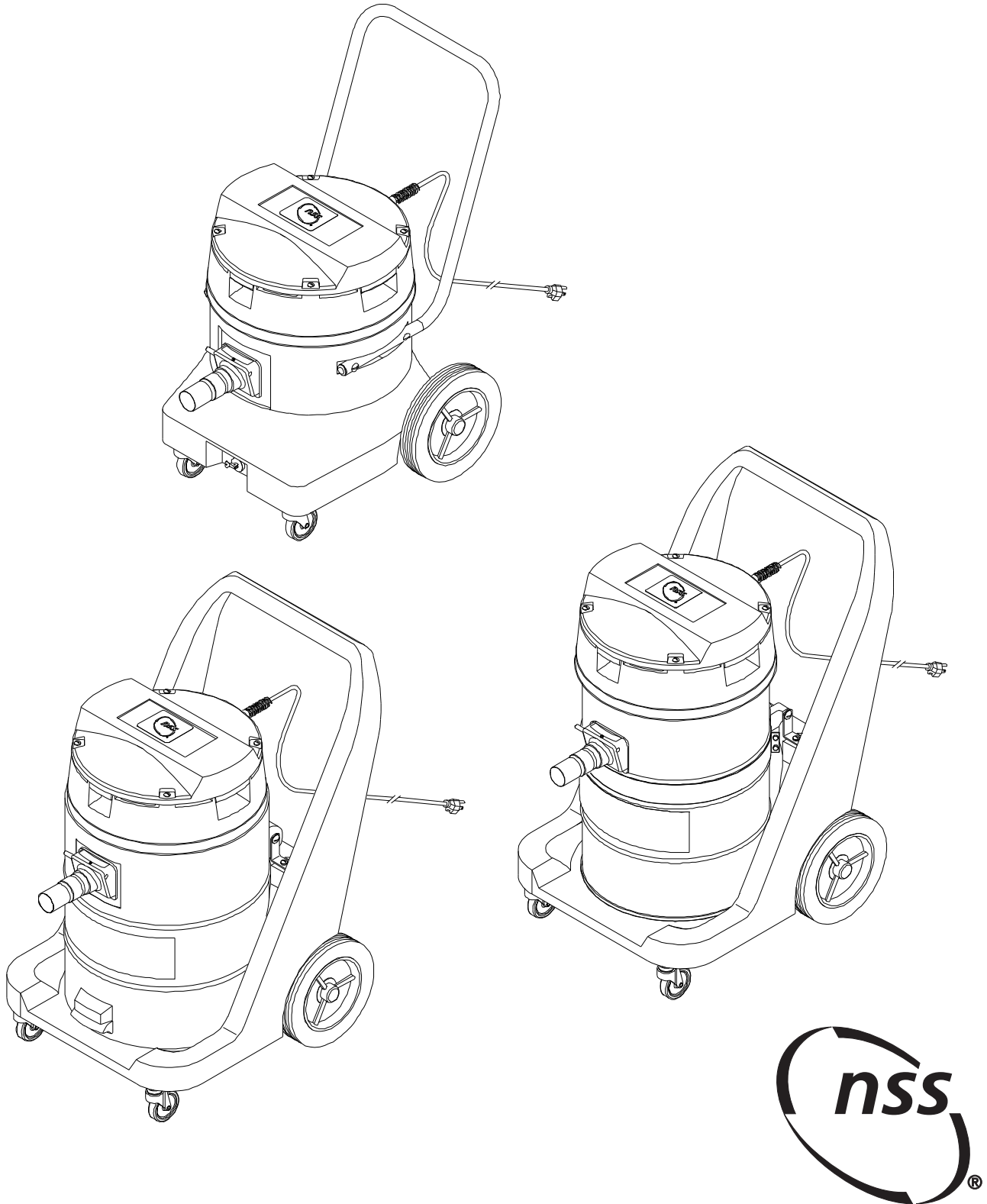
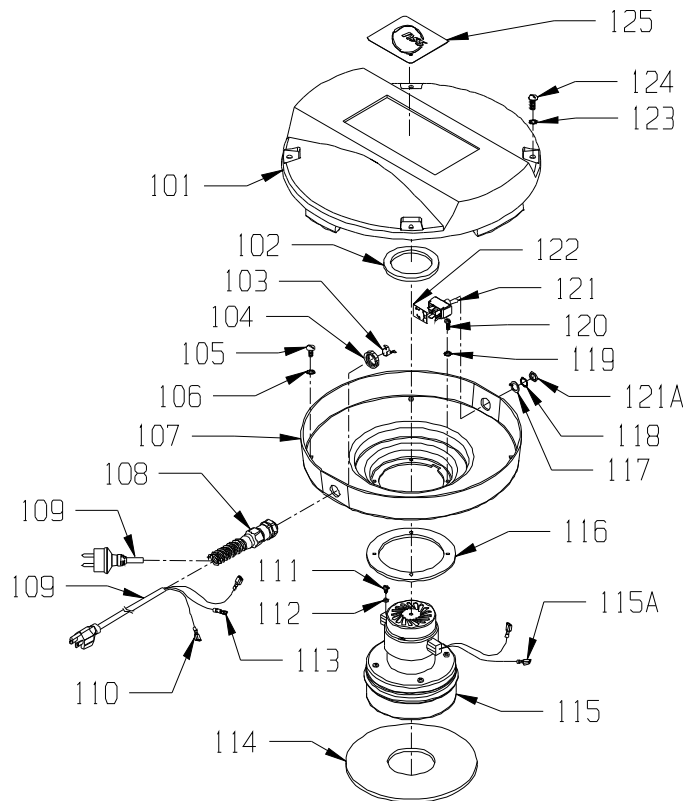


PARTS LIST
COLT 800 - 1250 - 1450
COLT HEPA - 1250 - 1450

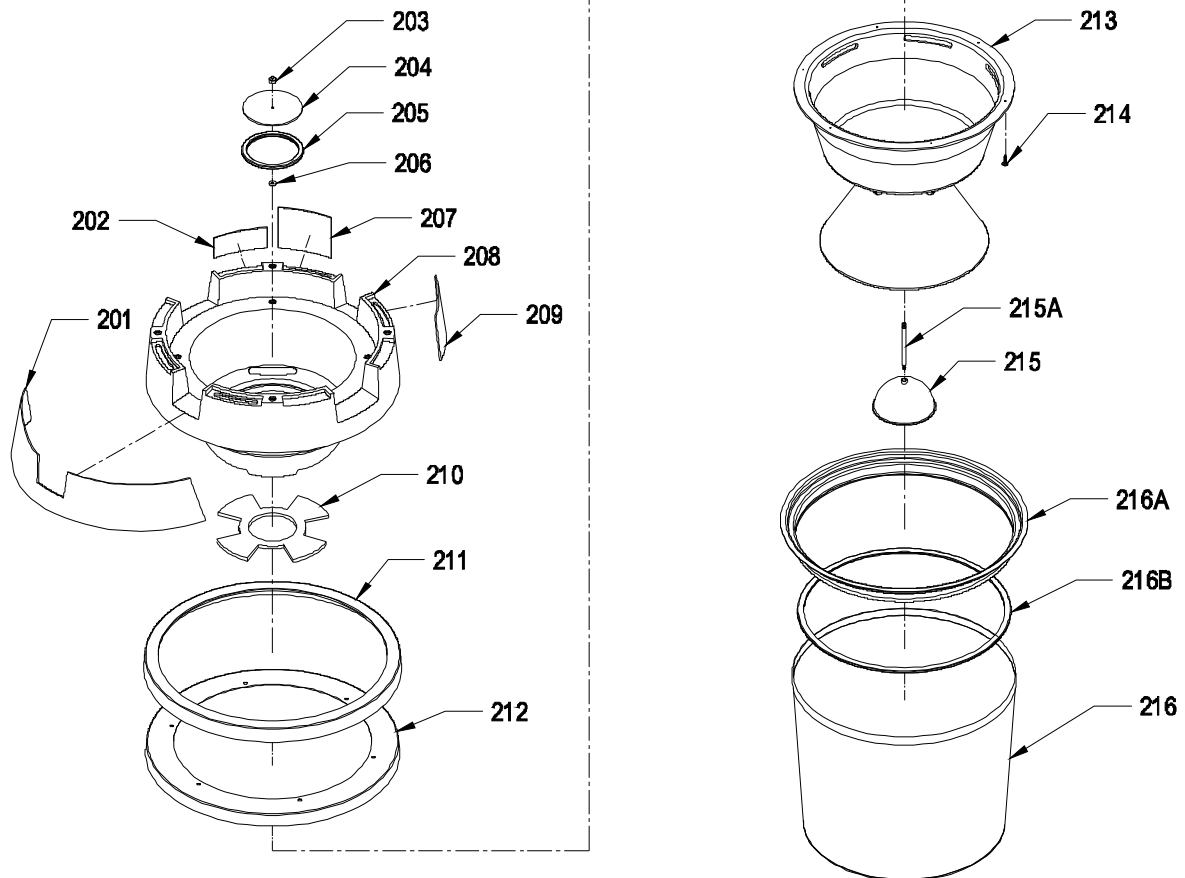


MOTOR / LID



ITEM	PART NO.	PART DESCRIPTION	QTY.
101	0891201	TOP COVER	1
102	0294341	TOP MOTOR SEAL	1
103	0299661	STRAIN RELIEF CORD CLAMP	1
104	0891131	STRAIN RELIEF NUT	1
105	9121040	1/4-20 X 5/8 ROUND HEAD PHILLIPS MACHINE SCREW - PACK OF 5	4
106	9120970	1/4 EXTERNAL STAR LOCK WASHER - PACK OF 10	4
107	0891211	AIR SEPARATOR	1
108	0299531	STRAIN RELIEF	1
109	0299621	CORD - 115 VOLT ONLY	1
109	0299671	SHUKO CORD 75' - 240 VOLT ONLY	1
110	4991361	FULLY INSULATED FEMALE TERMINAL 18-22 GAGE	2
111	9120590	10-24 X 3/8 PAN HEAD PHILLIPS THREAD CUTTING SCREW - PACK OF 10	1
112	9120320	#10 SPLIT LOCK WASHER - PACK OF 10	1
113	0298981	#10 RING TERMINAL 14-16 GAGE	1
114	0891221	LOWER SEAL GASKET	1
115	0296439	VAC MOTOR - 120 VOLT WITH TERMINALS - INCLUDES:	1
	0299331	CARBON BRUSHES	2
	0296459	VAC MOTOR - 240 VOLT WITH TERMINALS - INCLUDES:	1
	0299331	CARBON BRUSHES	2
116	4690101	VAC MOTOR FLOAT GASKET	1
117	4691621	SWITCH LOCK RING	1
118	0691851	1/2 INTERNAL STAR LOCK WASHER - PACK OF 1	1
119	9120330	#10 EXTERNAL STAR LOCK WASHER - PACK OF 10	4
120	9120790	10 X 5/8 PAN HEAD PHILLIPS SHEET METAL SCREW - PACK OF 10	4
121	0891141	TOGGLE SWITCH - INCLUDES:	1
121A	0798941	9/16" HEX NUT - PACK OF 1	1
122	0892141	TOGGLE SWITCH COVER	1
123	9120970	1/4 EXTERNAL STAR LOCK WASHER - PACK OF 10	4
124	9121020	1/4-20 X 1 TRUSS HEAD PHILLIPS MACHINE SCREW - PACK OF 5	4
125	0393531	NSS LOGO DECAL	1

NON - HEPA POWER HEAD

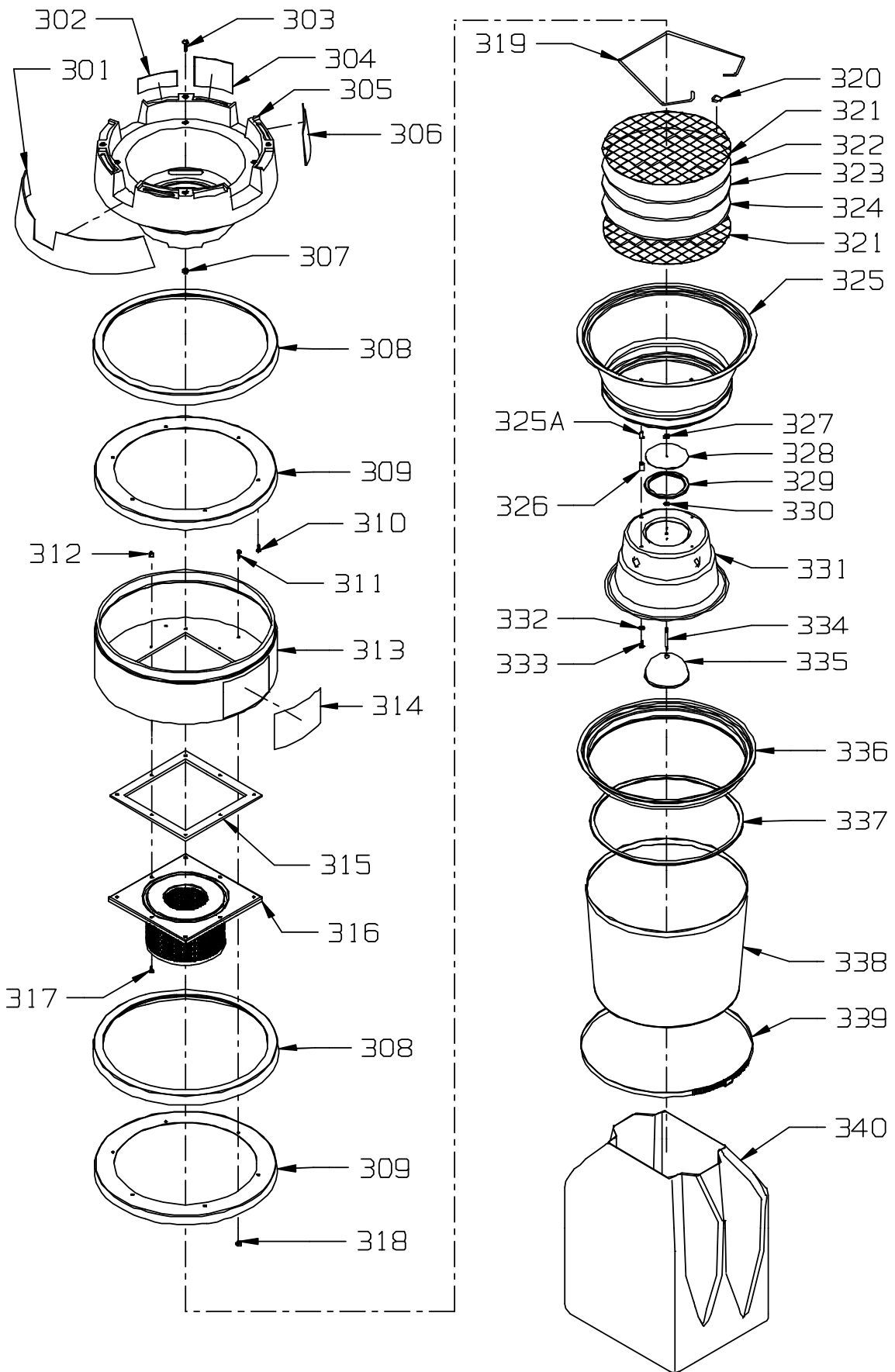


ITEM	PART NO.	PART DESCRIPTION	QTY.
201	0892501	FRONT DECAL - 1.4 X 21.5 ON A 97° RADIUS	1
202	0892301	NAME IDENTIFIER DECAL - COLT 800	1
	0892311	NAME IDENTIFIER DECAL - COLT 1250	1
	0892321	NAME IDENTIFIER DECAL - COLT 1450	1
203	9120350	10-24 HEX NUT WITH NYLOK INSERT - PACK OF 10	1
204	0691271	FLOAT DISC	1
205	0691261	FLOAT DISC GASKET	1
206	9120370	7/32 I.D. X 1/2 O.D. X .032/.065 THICK FLAT WASHER - #10 - PACK OF 10	1
207	0190911	GROUNDING LABEL - 120 VOLT ONLY	1
	0190921	ICON ADAPTOR LABEL - 240 VOLT ONLY	1
208	0891011	FLOAT SUPPORT	1
209	0190901	WARNING LABEL	1
210	0891071	FLOAT STAND GASKET	1
211	0891061	LID GASKET	1
212	0891053	LID GASKET SUPPORT	1
213	0891021	FLOAT STAND	1
214	9120790	10 X 5/8 PAN HEAD SHEET METAL SCREW - PACK OF 10	6
215	0690319	FLOAT AND STEM ASSEMBLY - INCLUDES:	1
	0690311	FLOAT	1
	0690811	FLOAT STEM	1
216	0891939	DYNEL FILTER ASSEMBLY - INCLUDES:	1
	0691911	DYNEL BAG - CLOTH	1
216A	0690341	BAG RING ONLY	1
216B	0691751	BAG GASKET	1
216	0891949	BLUE FILTER BAG ASSEMBLY - OPTIONAL - INCLUDES:	1
	0691921	BLUE CLOTH FILTER BAG	1
216A	0690341	BAG RING ONLY	1
216B	0691751	BAG GASKET	1
216	0892171	PAPER BAG - OPTIONAL	1

HEPA POWER HEAD

<u>ITEM</u>	<u>PART NO.</u>	<u>PART DESCRIPTION</u>	<u>QTY.</u>
301	0892501	FRONT DECAL - 1.4 X 21.5 ON A 97° RADIUS	1
302	0892331	NAME IDENTIFIER DECAL - COLT HEPA 1250	1
	0892341	NAME IDENTIFIER DECAL - COLT HEPA 1450	1
303	9121020	1/4-20 X 1 TRUSS HEAD PHILLIPS MACHINE SCREW - PACK OF 5	1
304	0190911	GROUNDING LABEL - 120 VOLT ONLY	1
	0190921	ICON ADAPTOR LABEL - 240 VOLT ONLY	1
305	0891011	FLOAT SUPPORT	1
306	0190901	WARNING LABEL - 120 VOLT ONLY	1
307	9120890	1/4-20 HEX NUT WITH NYLOK INSERT - THIN - PACK OF 5	1
308	0891061	LID GASKET	2
309	0891053	LID GASKET SUPPORT	2
310	9120790	10 X 5/8 PAN HEAD SHEET METAL SCREW - PACK OF 10	6
311	9120520	10-24 X 5/8 TRUSS HEAD PHILLIPS MACHINE SCREW - PACK OF 10	6
312	9120360	10-24 HEX NUT WITH STAR LOCK WASHER - PACK OF 10	8
313	0891321	HEPA FILTER STAND	1
314	0892421	HEPA FILTER STAND DECAL KIT	1
315	0891281	HEPA FILTER GASKET	1
316	0891291	HEPA FILTER	1
317	9120635	10-24 X 7/8 PAN HEAD PHILLIPS MACHINE SCREW - PACK OF 10	8
318	9120360	10-24 HEX NUT WITH STAR LOCK WASHER - PACK OF 10	6
319	0691241	WIRE RETAINING FORM	1
320	2392561	CIRCLE COTTER - #CC-7	1
321	0691231	SCREEN	2
322	0891191	UPPER FILTER DISC	1
323	0691221	FILTER - 80 PORE	1
324	0891181	LOWER FILTER DISC	1
325	0691199	MICRO FILTER SUPPORT - INCLUDES:	1
325A	0690251	RIVET NUT- #A-10-80	4
326	0691422	SPACER	4
327	9120350	10-24 HEX NUT WITH NYLOK INSERT - PACK OF 10	1
328	0691271	FLOAT DISC	1
329	0691261	FLOAT DISC GASKET	1
330	9120370	7/32 I.D. X 1/2 O.D. X .032/.065 THICK FLAT WASHER - #10 - PACK OF 10	1
331	0691209	MICRO FILTER MOTOR STAND ASSEMBLY	1
332	9120495	# 10 INTERNAL STAR LOCK WASHER - PACK OF 10	4
333	9120780	10-32 X 1 1/4 ROUND HEAD SLOT MACHINE SCREW - PACK OF 5	4
334	0691431	FLOAT STEM	1
335	0690311	FLOAT	1
336	0690341	BAG RING ONLY	1
337	0691751	BAG GASKET	1
338	0892161	MICRO FILTER BAG	1
339	0690222	BAND CLAMP - FILTER BAG	1
340	0892171	PAPER BAG	1

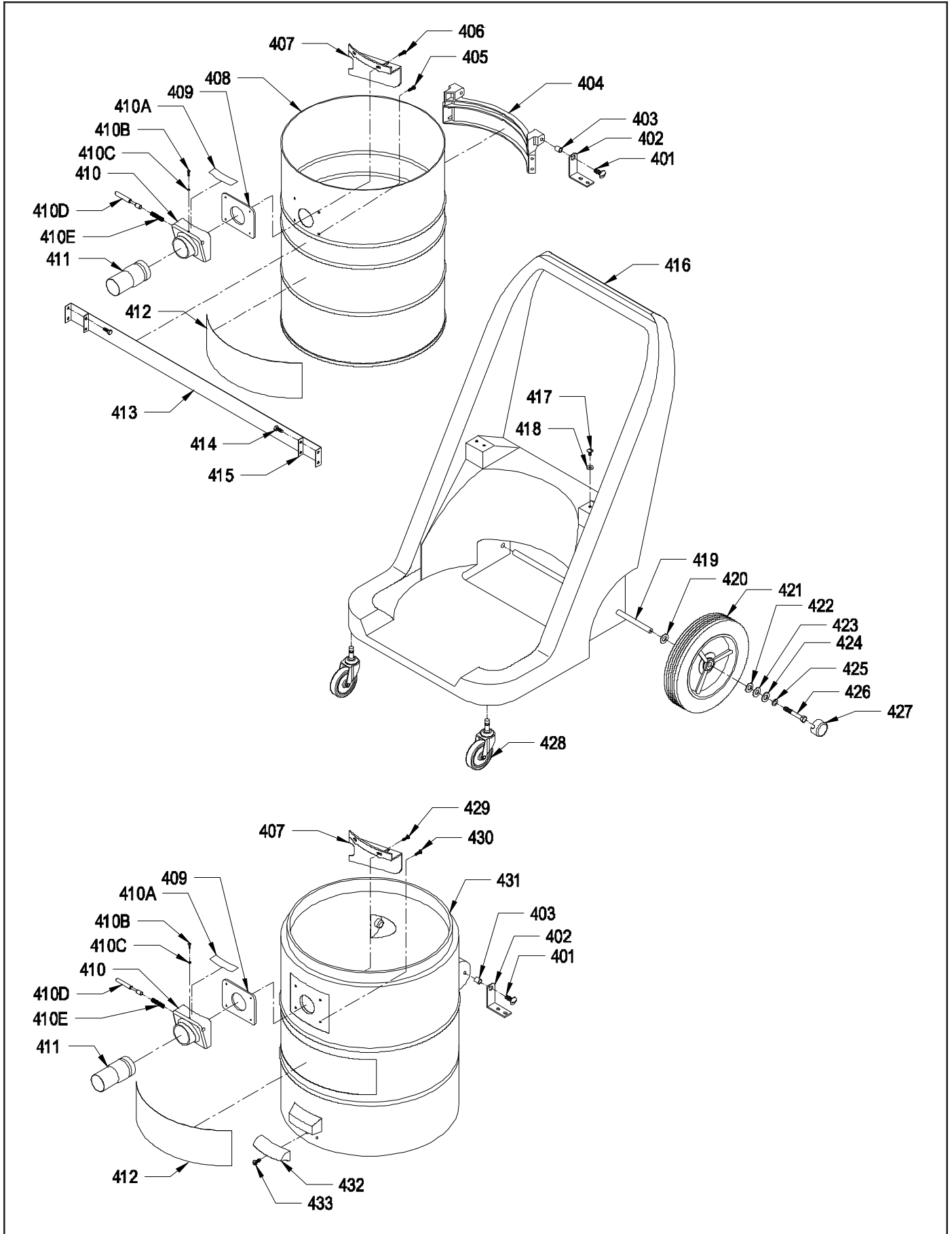
HEPA POWER HEAD



CONTAINERS WITH TIP BASES (1250 & 1450)

ITEM	PART NO.	PART DESCRIPTION	QTY.
401	9122040	3/8-16 X 1 ROUND HEAD PHILLIPS MACHINE SCREW - PACK OF 1	2
402	0891623	PIVOT BRACKET	2
403	0290971	SPACER	2
404	0690322	HINGE BRACKET - 1250 ONLY	1
405	9120610	10-24 X 5/8 PAN HEAD PHILLIPS THREAD CUTTING SCREW - PACK OF 10	2
406	9120620	10-24 X 3/4 PAN HEAD PHILLIPS THREAD CUTTING SCREW - PACK OF 10	2
407	0297101	BAFFLE - INTAKE	1
408	0690375	12.5 GALLON CAN - STAINLESS STEEL - 1250 ONLY	1
	0297029	INTAKE ASSEMBLY AND GASKET - INCLUDES:	1
409	4690531	INTAKE GASKET	1
410	0297019	INTAKE ASSEMBLY - INCLUDES:	1
	0297015	INTAKE ONLY	1
410A	0892441	BAG INSTRUCTION LABEL	1
410B	9120230	8-32 X 1/2 PAN HEAD PHILLIPS MACHINE SCREW - PACK OF 10	1
410C	9120200	8 SPLIT WASHER - PACK OF 10	1
410D	0299271	PLUNGER PIN	1
410E	0299261	PLUNGER SPRING	1
411	2590801	HOSE COUPLING	1
412	4792321	FRONT DECAL - 2 X 8	1
413	0690522	BAND CLAMP - 1250 ONLY	1
414	9121250	1/4-20 X 3/4 HEX BOLT - 1250 ONLY - PACK OF 10	4
415	0690532	BAND CLAMP PLATE - 1250 ONLY	2
416	0891661	TIP BASE	1
417	9121090	1/4-20 X 1/2 TRUSS HEAD PHILLIPS MACHINE SCREW - PACK OF 5	4
418	9120970	1/4 EXTERNAL STAR LOCK WASHER - PACK OF 10	4
419	0891611	AXLE	1
420	5390811	1/2 I.D. X 1 O.D. X .07 THICK FLAT WASHER - NYLATRON - PACK OF 1	2
421	4892731	10 INCH WHITE PLASTIC WHEEL	2
422	5390811	1/2 I.D. X 1 O.D. X .07 THICK FLAT WASHER - NYLATRON - PACK OF 1	2
423	9122465	.516 I.D. X .813 O.D. X .027/.030 THICK FLAT WASHER - PACK OF 2	2
424	9120930	9/32 I.D. X 5/8 O.D. X .051/.080 THICK FLAT WASHER (1/4) - PACK OF 10	2
425	9120880	1/4 SPLIT LOCK WASHER - PACK OF 10	2
426	9121210	1/4-20 X 5/8 HEX BOLT - PACK OF 10	2
428	0290491	CASTER	2
429	9120630	10-24 X 7/8 PAN HEAD THREAD CUTTING SCREW - PACK OF 2	2
430	9120620	10-24 X 3/4 PAN HEAD PHILLIPS THREAD CUTTING SCREW - PACK OF 10	2
431	0891501	14.5 GALLON (POLY) CAN - 1450 ONLY	1
432	0798685	HANDLE - 1450 ONLY	1
433	9120540	10-24 X 1/2 FLAT HEAD PHILLIPS MACHINE SCREW - 1450 ONLY - PACK OF 10	3

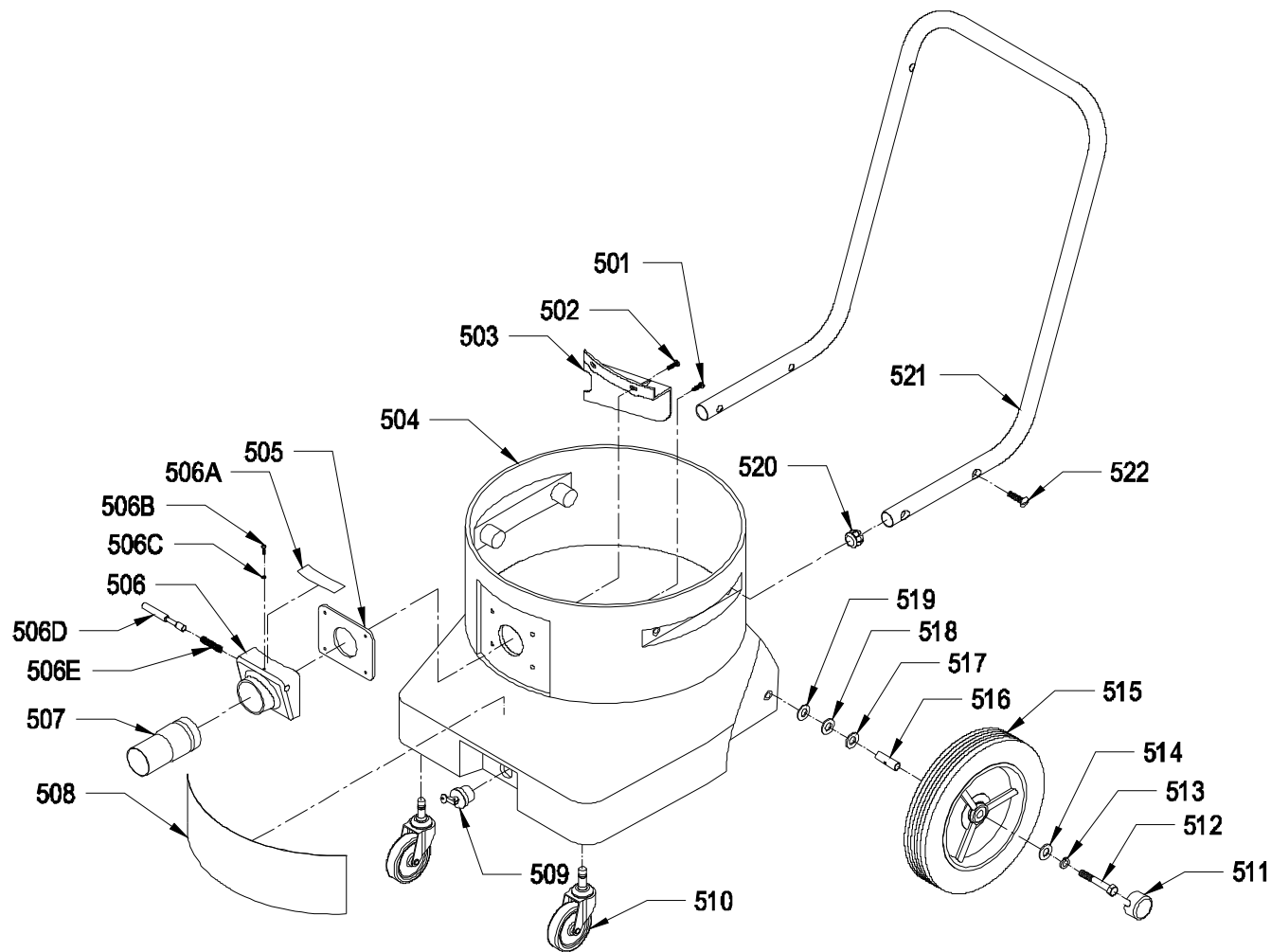
CONTAINERS WITH TIP BASES (1250 & 1450)



CONTAINER WITH TRANSPORT HANDLE (800)

<u>ITEM</u>	<u>PART NO.</u>	<u>PART DESCRIPTION</u>	<u>QTY.</u>
501	9120620	10-24 X 3/4 PAN HEAD THREAD CUTTING SCREW - PACK OF 10	2
502	9120630	10-24 X 7/8 PAN HEAD THREAD CUTTING SCREW - PACK OF 2	2
503	0297101	BAFFLE - INTAKE	1
504	0891401	8 GALLON CAN WITH BASE	1
	0297029	INTAKE ASSEMBLY AND GASKET - INCLUDES:	1
505	4690531	INTAKE GASKET	1
506	0297019	INTAKE ASSEMBLY - INCLUDES:	1
	0297015	INTAKE ONLY	1
506A	0892441	BAG INSTRUCTION LABEL	1
506B	9120230	8-32 X 1/2 PAN HEAD PHILLIPS MACHINE SCREW - PACK OF 10	1
506C	9120200	8 SPLIT WASHER - PACK OF 10	1
506D	0299271	PLUNGER PIN	1
506E	0299261	PLUNGER SPRING	1
507	2590801	HOSE COUPLING	1
508	4792321	FRONT DECAL - 2 X 8	1
509	0891261	SNAP TITE PLUG	1
510	0290491	CASTER	2
512	9122080	3/8-16 X 2 1/2 HEX BOLT - PACK OF 1	2
513	9122100	3/8 SPLIT LOCK WASHER - PACK OF 10	2
514	9121980	7/16 I.D. X 1 O.D. X .075/.080 THICK FLAT WASHER (3/8) - PACK OF 2	2
515	4892731	10 INCH WHITE PLASTIC WHEEL	2
516	5294391	AXLE SPACER	2
517	5390811	1/2 I.D. X 1 O.D. X .07 THICK FLAT WASHER - NYLATRON - PACK OF 1	2
518	9121985	13/32 I.D. X 1 O.D. X .12 THICK FLAT WASHER (11 GAGE) - PACK OF 1	2
519	9121980	7/16 I.D. X 1 O.D. X .075/.080 THICK FLAT WASHER (3/8) - PACK OF 2	2
520	0690761	BUTTON PLUG	2
521	0891411	TRANSPORT HANDLE	1
522	9122060	3/8-16 X 1 1/4 OVAL HEAD PHILLIPS MACHINE SCREW - PACK OF 1	4

CONTAINER WITH TRANSPORT HANDLE (800)

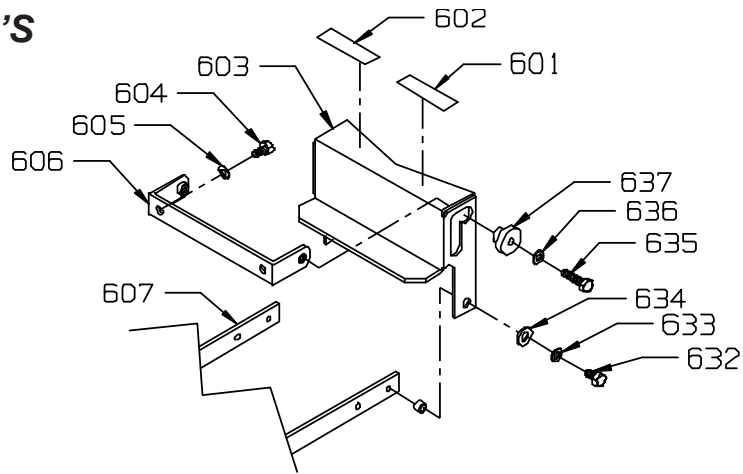


FRONT MOUNT SQUEEGEE ASSEMBLY

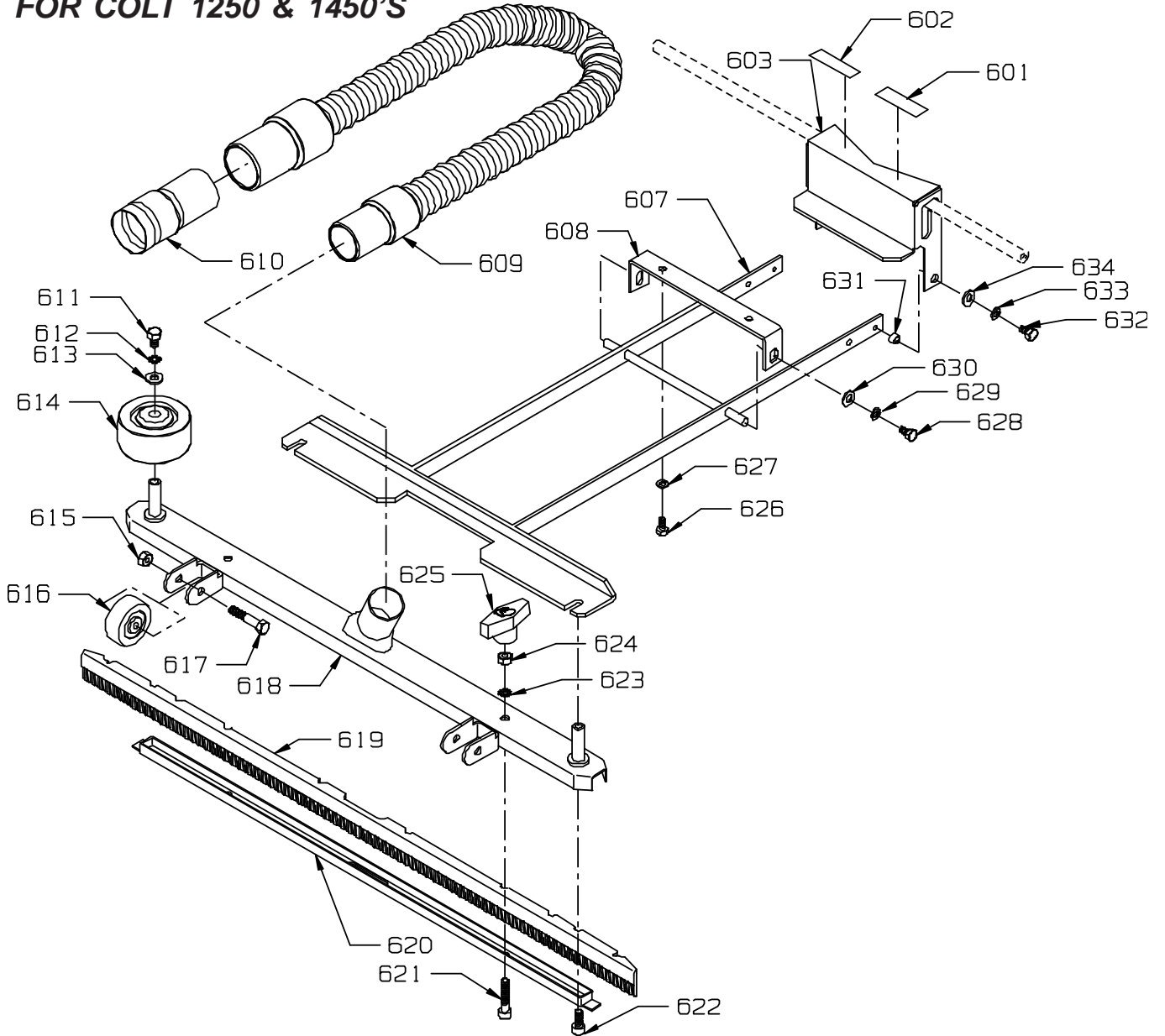
ITEM	PART NO.	PART DESCRIPTION	QTY.
	3098259	FRONT MOUNT SQUEEGEE - INCLUDES:	1
601	0891731	DECAL - PRESS TO RAISE	1
602	0891741	DECAL - PUSH TO LOWER	1
603	0891703	FOOT PEDAL WITH LATCH	1
604	9121170	1/4-20 X 1/2 HEX BOLT - PACK OF 10	2
605	9120880	1/4 SPLIT LOCK WASHER - PACK OF 10	2
606	0891693	PIVOT REAR BRACKET	1
607	0891723	MOUNTING PLATE	1
608	0891713	LOWER PIVOT BRACKET	1
609	0891751	2 FOOT HOSE WITH CUFFS	1
610	2590801	HOSE COUPLING 1 1/2"	1
611	9121560	5/16-18 X 1/2 HEX BOLT - PACK OF 5	2
612	9121410	5/16 EXTERNAL STAR LOCK WASHER - PACK OF 10	2
613	9121390	11/32 I.D. X 11/16 O.D. X .051/.080 THICK FLAT WASHER (5/16) - PACK OF 10	2
614	2790281	3" BUMPER WHEEL	2
615	9121450	5/16-18 HEX NUT WITH NYLOK INSERT - PACK OF 5	2
616	3096741	WHEEL - BUMPER - SMALL GRAY	2
617	9121760	5/16-18 X 1 3/4 HEX BOLT - PACK OF 2	2
618	2391273	OUTER CHANNEL	1
619	2393609	27" REPLACEMENT SQUEEGEE BLADES - PAIR OF 2	1
620	2391283	INNER CHANNEL	1
621	9121920	5/16-18 X 1 1/2 SOCKET HEAD CAP SCREW - PACK OF 2	2
622	9121880	5/16-18 X 3/4 SOCKET HEAD CAP SCREW - PACK OF 2	2
623	9121410	5/16 EXTERNAL STAR LOCK WASHER - PACK OF 10	2
624	9121420	5/16-18 HEX NUT - PACK OF 10	2
625	3392971	T-KNOB - SQUEEGEE	2
626	9121170	1/4-20 X 1/2 HEX BOLT - PACK OF 10	2
627	9120880	1/4 SPLIT LOCK WASHER - PACK OF 10	2
628	9121170	1/4-20 X 1/2 HEX BOLT - PACK OF 10	2
629	9120880	1/4 SPLIT LOCK WASHER - PACK OF 10	2
630	9120930	9/32 I.D. X 5/8 O.D. X .051/.080 THICK FLAT WASHER (1/4) - PACK OF 10	2
631	2791281	BUSHING SPACER	2
632	9121250	1/4-20 X 3/4 HEX BOLT - PACK OF 10	2
633	9120880	1/4 SPLIT LOCK WASHER - PACK OF 10	2
634	9120930	9/32 I.D. X 5/8 O.D. X .051/.080 THICK FLAT WASHER (1/4) - PACK OF 10	2
635	9121270	1/4-20 X 1 HEX BOLT - PACK OF 10	2
636	9120880	1/4 SPLIT LOCK WASHER - PACK OF 10	2
637	4495351	SPACER GUIDE	2
N/S	3098231	INSTRUCTIONS - FRONT MOUNT SQUEEGEE	1

FRONT MOUNT SQUEEGEE ASSEMBLY

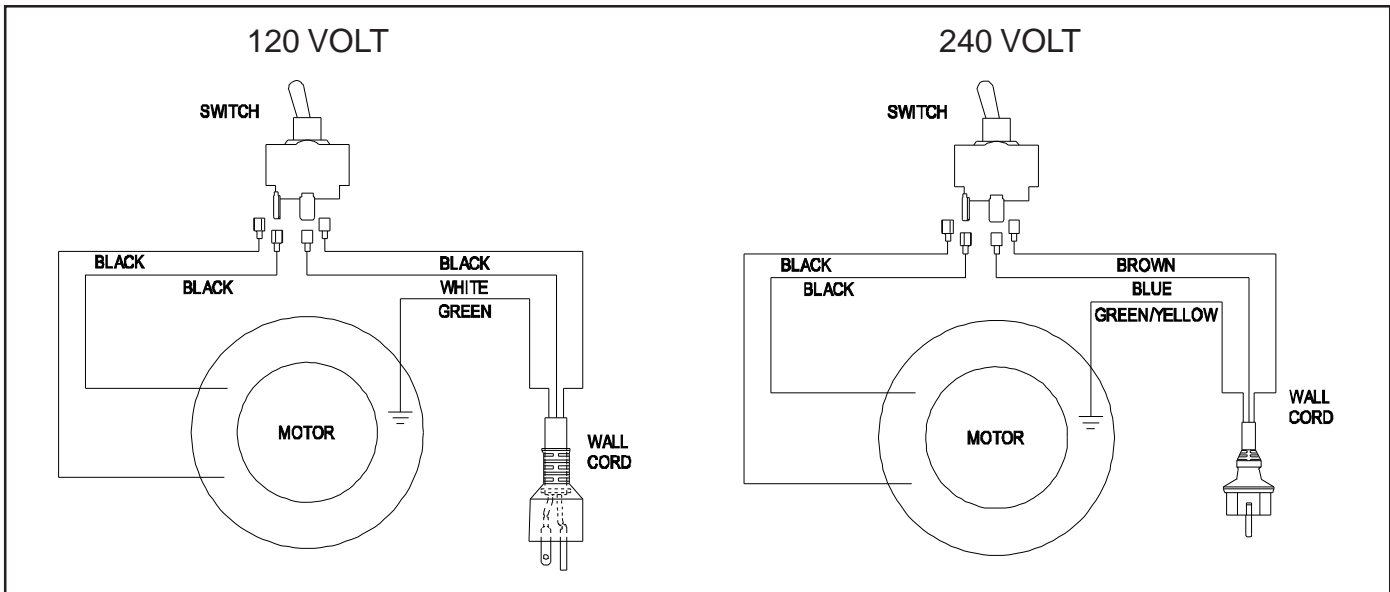
FOR COLT 800'S



FOR COLT 1250 & 1450'S



WIRING DIAGRAM



ACCESSORIES



PART NO.

- 0800802
- 0800824
- 0891959
- 0891909
- 0892199
- 3098309
- 2594011
- 5790469
- 5797011
- 5790241
- 5797031
- 5790111
- 5790291
- 5790301
- 5790311
- 3191469
- 3098329
- 3092179
- 2290209
- 2595101
- 3098259
- 0891939
- 0891949

PART DESCRIPTION

- COLT POWER HEAD - 115 VOLT
- COLT HEPA POWER HEAD ASSEMBLY - INCLUDES:
- HEPA / MICRO FILTER ASSEMBLY - INCLUDES:
- HEPA FILTER MOUNT ASSEMBLY - ITEMS 308-318 PAGE 4
- MICRO FILTER AND STAND ASSEMBLY - ITEMS 319-341 PAGE 4
- ALL PURPOSE WET / DRY TOOL KIT - INCLUDES:
- 10 FOOT SPIRAL FLEX HOSE
- 2 PIECE STEEL WAND
- 15" SQUEEGEE TOOL WITH WHEELS
- 16" BARE FLOOR TOOL
- 16" CARPET TOOL
- 2 1/2 ROUND BRUSH
- CREVICE TOOL
- 9" WALL BRUSH
- UTILITY NOZZLE
- HI-UP EXTENSION TUBE KIT - PLASTIC (2-PIECE)
- BASIC WET PICK-UP KIT - INCLUDES:
- 14" URETHANE SQUEEGEE TOOL
- STEEL WAND
- 10 FOOT SUPER FLEX HOSE WITH SWIVEL CUFF
- FRONT MOUNT SQUEEGEE ASSEMBLY
- DYNEL FILTER BAG ASSEMBLY
- BLUE FILTER BAG ASSEMBLY



NSS® Enterprises, Inc.

3115 Frenchmens Road, Toledo, Ohio 43607
 PHONE (419) 531-2121 FAX (419) 531-3761

NSS® Enterprises, Inc. European Distribution Centre
 Unit II, Pinfold Trading Estate * 55 Nottingham Road
 STAPLEFORD, NOTTINGHAM NG9 8AD ENGLAND U.K.
 PHONE: (44) 0115 939 1568 * FAX: (44) 0115 949 0615