

IPC Integrated Professional Cleaning

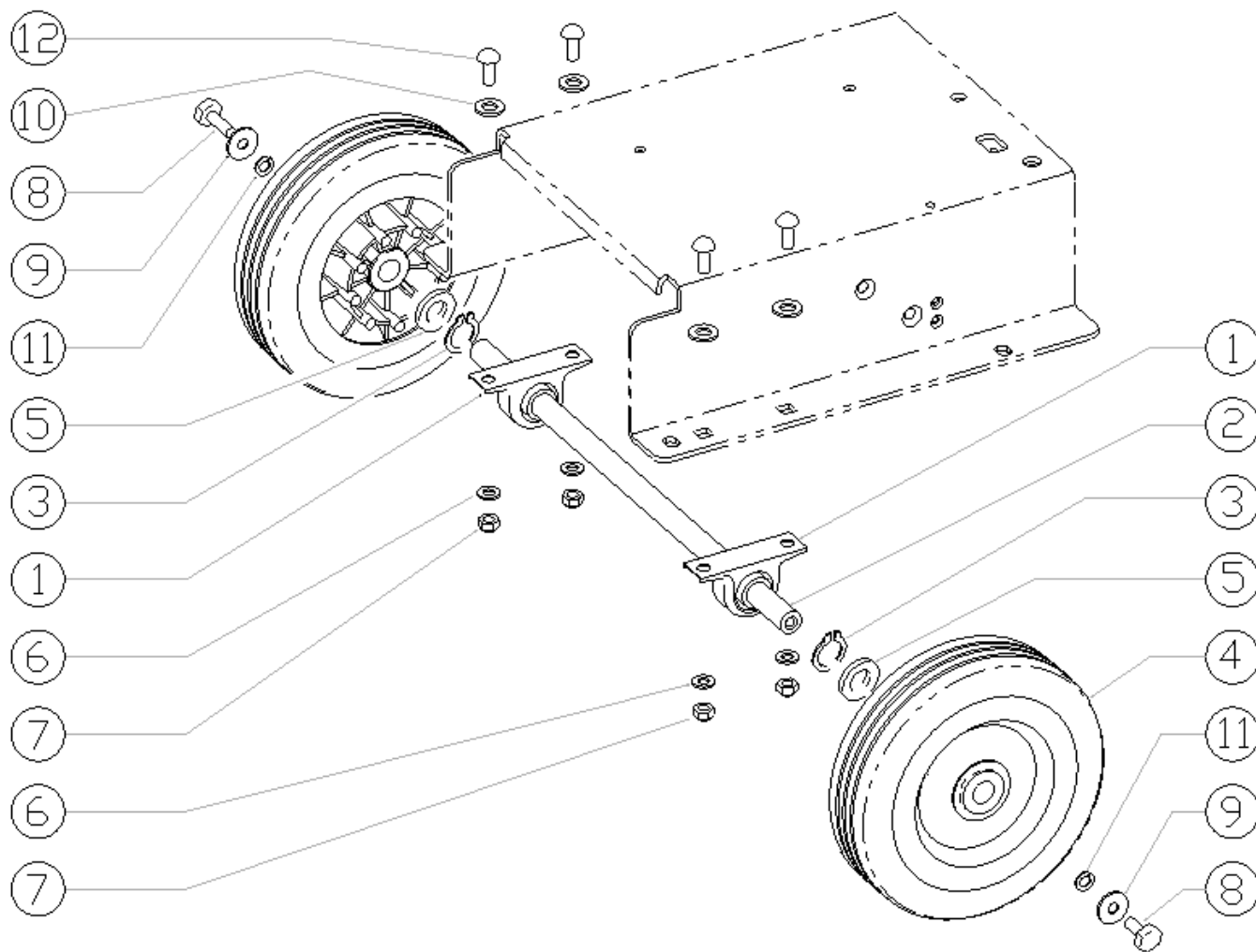
IPC Gansow

Spare Parts List

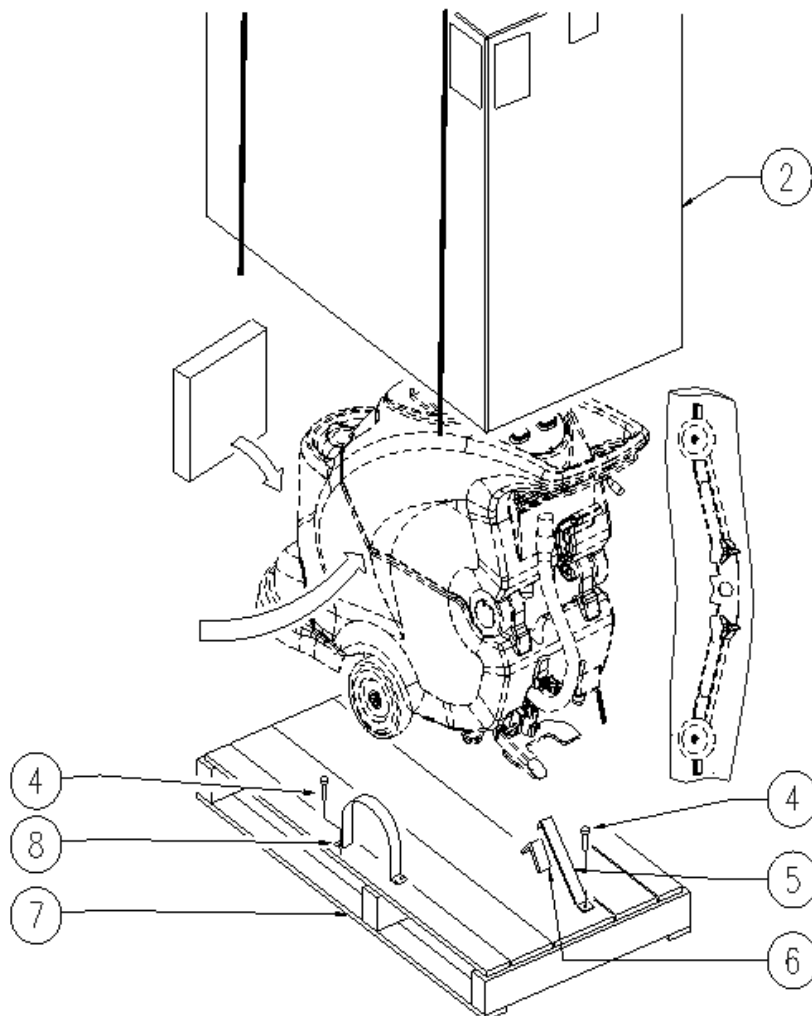
IPC EAGLE

Ref: LPTB02412

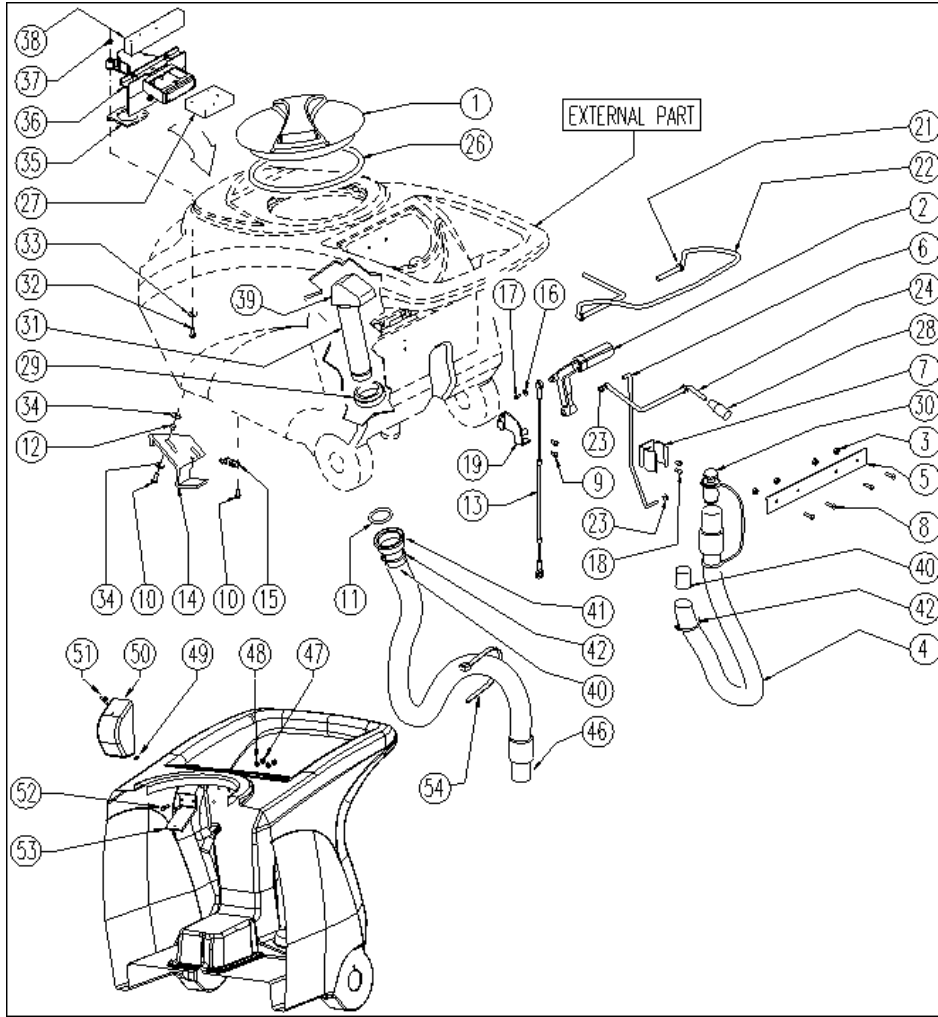
Model: CLEAN TIME 40 B 50 ECS USA



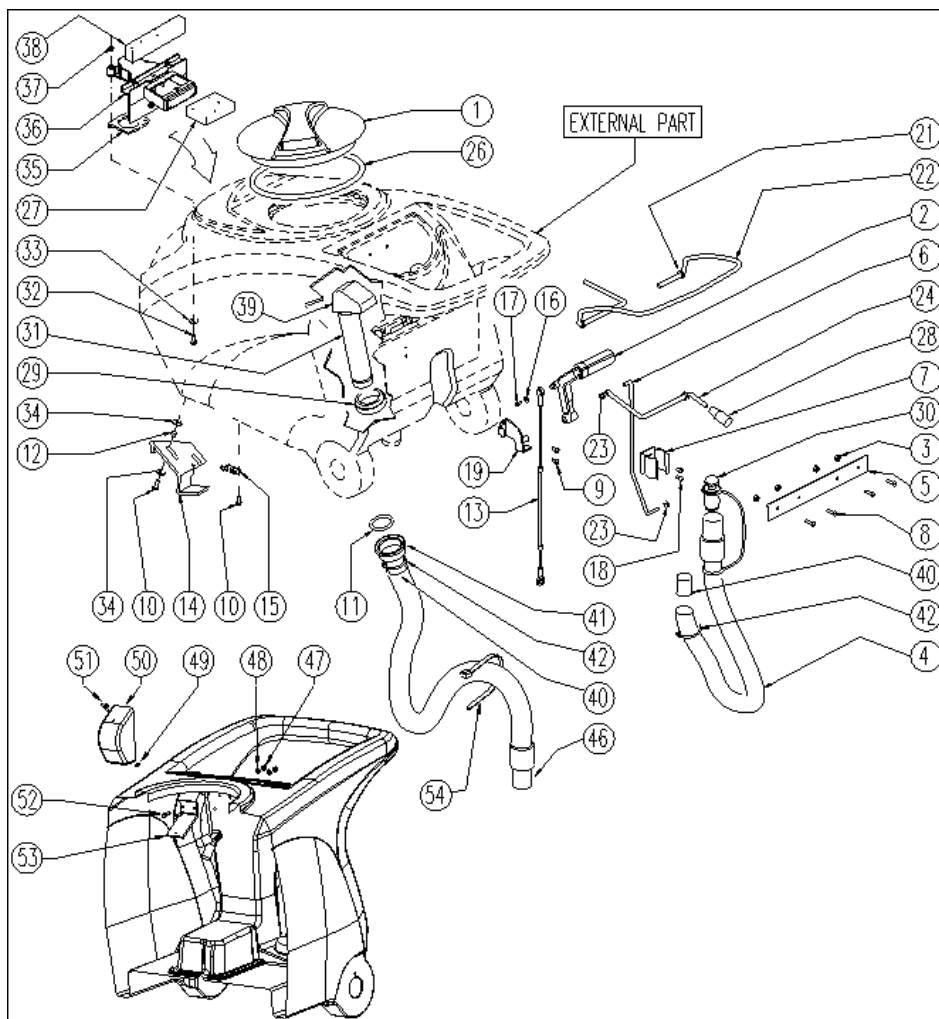
Ref.	K	Part N.	Customer Part N.	Description	Qty	Validity:		Price
						From	To	
0001		CUVR49833		BALL BEARING SBPP 203	2,00			--
0002		ALTR00088		AXLE -	1,00	05/2009		--
0002		LAFN35746		WHEELS AXLE LAV. E/B 450	1,00		05/2009	--
0003		VTAE00065		RING D17 UNI7435 INOX	2,00			--
0004		RTRT00366		WHEEL D200 X CLT 40	2,00			--
0005		VTRS21763		WASHER D.17	2,00			--
0006		VTRS13947		WASHER D. 8 INX UNI 6592	4,00			--
0007		VTDD01695		NUT M 8 INX	4,00			--
0008		VTVT15916		SCREW TE M 8X 16 UNI 5739 A2	2,00			--
0009		VTRS13946		WASHER D. 8 X24 INX UNI 6593	2,00			--
0010		VTRS15978		WASHER D.12X24 UNI 6592 INX	4,00			--
0011		VTRS15146		WASHER D. 8 INX GRW UNI 1751	2,00			--
0012		VTVT00842		SCREW	4,00			--



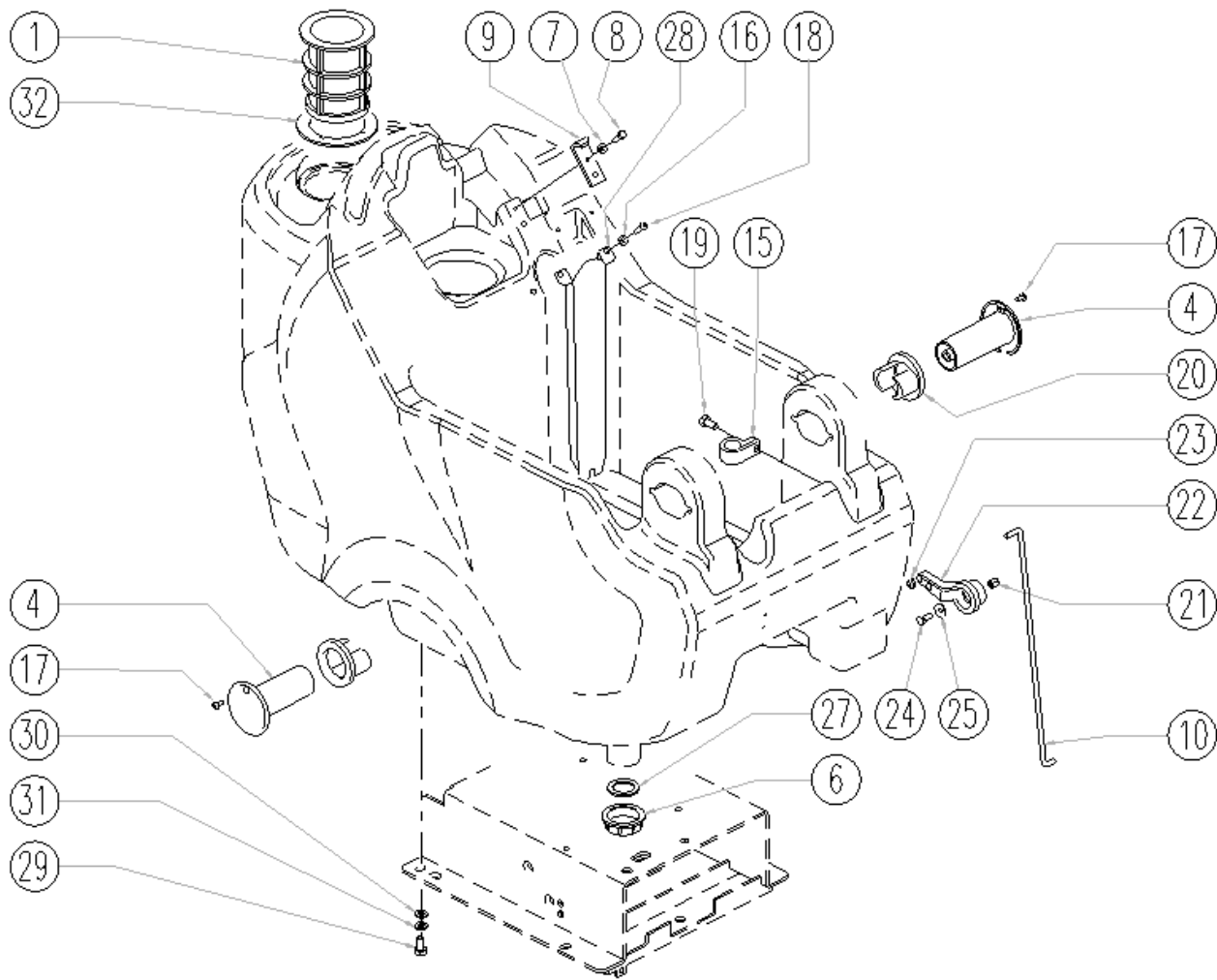
Ref.	K	Part N.	Customer Part N.	Description	Qty	Validity:		Price
						From	To	
0002		MICT00147		CARTON IMBALLO RULLI	1,00			--
0004		VTVT00043		SCREW AUTOF.LEGNO 4,5X25 TS BR	9,00			--
0005		MIVR00137		CLAMP RUOTA POSTERIORE X IMBAL.	1,00			--
0006		GUGO00009		MOUSSE	0,05			--
0007		MIBA00077		PALLET RULLI	1,00			--
0008		MIVR00135		CLAMP RUOTA POSTERIORE X IMBAL.	2,00			--



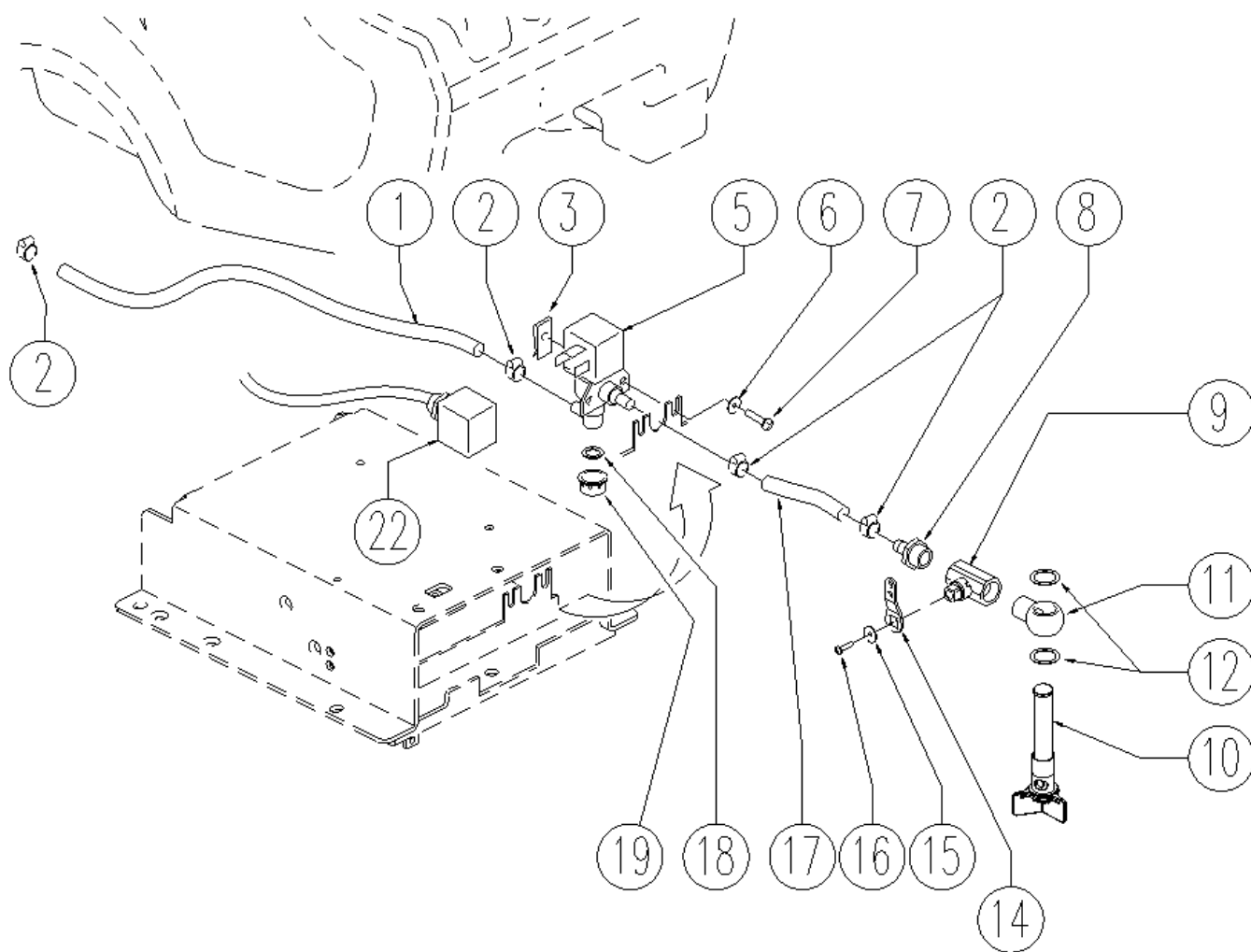
Ref. K	Part N.	Customer Part N.	Description	Qty	Validity:		Price
					From	To	
0001	MPVR04051		TANK CAP	1,00			--
0002	MPVR49942		LEVER SHK PP	1,00			--
0003	VTDD01694		NUT M 6 INX	4,00	04/2009		--
0004	TBBP00405		TUBE SCARICO	1,00		06/2010	--
0004	TBBP00456		TUBE CT40/70	1,00	06/2010	02/2011	--
0004	TBFX00348		TUBE CT40-70-90 HOSE DRAIN	1,00	02/2011		--
0005	LAFN05865		PLATE COPRILEVA CONSENSO	1,00			--
0006	LAFN05863	#8479.90.9498	ROD RUBINETTO	1,00			--
0007	MPVR46988		CLIP LAV. SHK	1,00			--
0008	VTVT07725		SCREW TE 5X16 UNI5739 INX	4,00			--
0009	VTVT15906		SCREW TE 6X 12 A2 UNI 5739	2,00			--
0010	VTVT15143		SCREW TE 6X16 UNI5739	3,00			--
0011	GUGO00216		GASKET ACQUA SPORCA	1,00	05/2009		--
0011	GUGO00292		GASKET OR 6162	1,00		05/2009	--
0012	LAFN03626		SPACER	2,00			--
0013	CMCV00312		CABLE SOLLEVAMENTO SQUEEGEE	1,00		07/2007	--
0013	CMCV00428		CABLE SQUEEGEE	1,00	07/2007		--
0014	LAFN06490		HANDLE	1,00			--
0015	MLML00203		SPRING	1,00			--
0016	VTRS00251		WASHER 4-16 INOX A2	1,00			--
0017	VTVT00800		SCREW TC 4X12 ZN	1,00			--
0018	VTVT21096		SCREW TE M 4X 10 INX	2,00			--
0019	LAFN05870		BRACKET LEVA SOLLEVAM. SQUEEGEE	1,00			--
0021	VTRS13947		WASHER D. 8 INX UNI 6592	2,00			--
0022	LAFN05861		LEVER CONSENSO SPAZZOLE	1,00			--
0023	VTDD01694		NUT M 6 INX	2,00			--
0024	LAFN05908		ROD COMANDO RUBINETTO	1,00			--
0026	GUGO00263		GASKET CIRCOLARE TAPPO	1,00			--
0027	FTDP00133		FILTER	1,00			--
0028	MPVR04146		KNOB IN PVC MOD. 1001 FORO D.6	1,00			--
0029	MPVR04716		RING NUT 1"1/2	1,00			--
0030	MPVR05064		CAP COMPLETO	1,00		06/2010	--
0031	MPVR51086		TUBE INT.SERB.RECUP.	1,00			--
0032	VTVT00814		SCREW TE M.4-25	2,00			--
0033	VTRS00515		WASHER D. 4 INX	2,00			--
0034	VTRS00274		WASHER NYLON 66 D.8,4-17-2 UNI	4,00			--
0035	GUGO00417		GASKET SCATOLA ASPIRAZIONE	1,00			--
0036	FTDP00185		BOX ASPIRAZIONE	1,00		01/2009	--
0036	MPVR05482		BOX -	1,00	01/2009		--



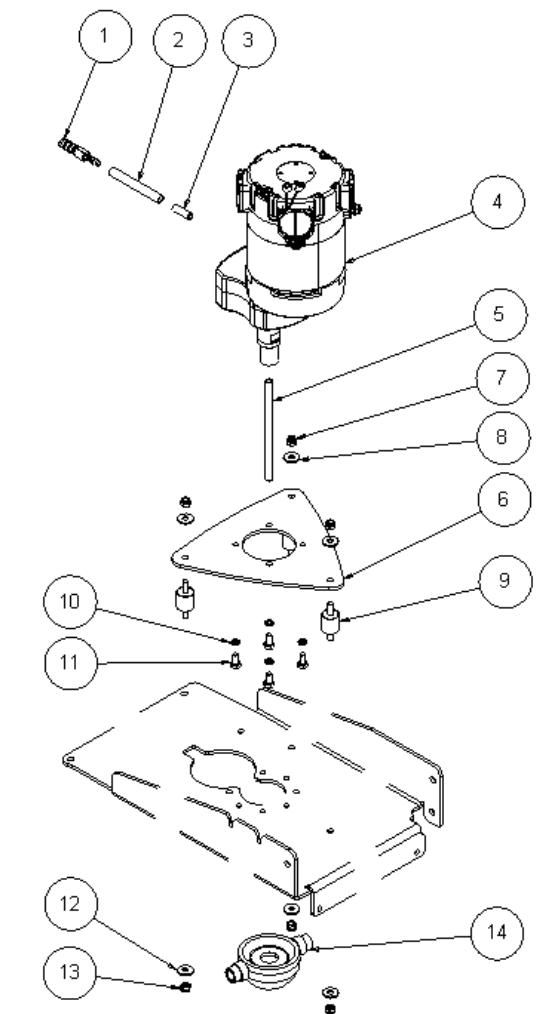
Ref.	K	Part N.	Customer Part N.	Description	Qty	Validity:		Price
						From	To	
0037		VTDD15925		NUT M 4 INX	2,00			--
0038		GUGO00418		GASKET CONDOTTO ASPIRAZIONE	1,00			--
0039		PMVR01129		TUBE C/DEFLETTORE	1,00	05/2006		--
0040		GUGO00245		GASKET	2,00			--
0041		RCVR00504		CONNECTOR DRITTO FEMM.	1,00		02/2009	--
0042		FSVR43136		CLAMP D. 35-40 DF.	1,00		02/2009	--
0046		TBBP00407		TUBE L=990 d.i.350	1,00		02/2009	--
0046		TBBP00454		TUBE TERGI D.40	1,00	02/2009	10/2010	--
0046		TBBP00478		TUBE CT40 L=1040	1,00	10/2010	01/2012	--
0046		TBFX00352		TUBE PU CT40	1,00	01/2012		--
0047		VTDD01693		NUT M 5 INX	2,00	04/2009		--
0048		VTRS00516		WASHER D. 5 INX	4,00	04/2008		--
0049		VTVR01038		WASHER -	1,00	04/2009		--
0050		MPVR05596		PROTECTION -	1,00	04/2009		--
0051		VTVT01150		SCREW 4x10	1,00	04/2009		--
0052		VTVT07725		SCREW TE 5X16 UNI5739 INX	2,00	04/2009		--
0053		LAFN07631		BRACKET -	1,00	04/2009		--
0054		FSVR00248		CLAMP -	1,00	10/2010		--



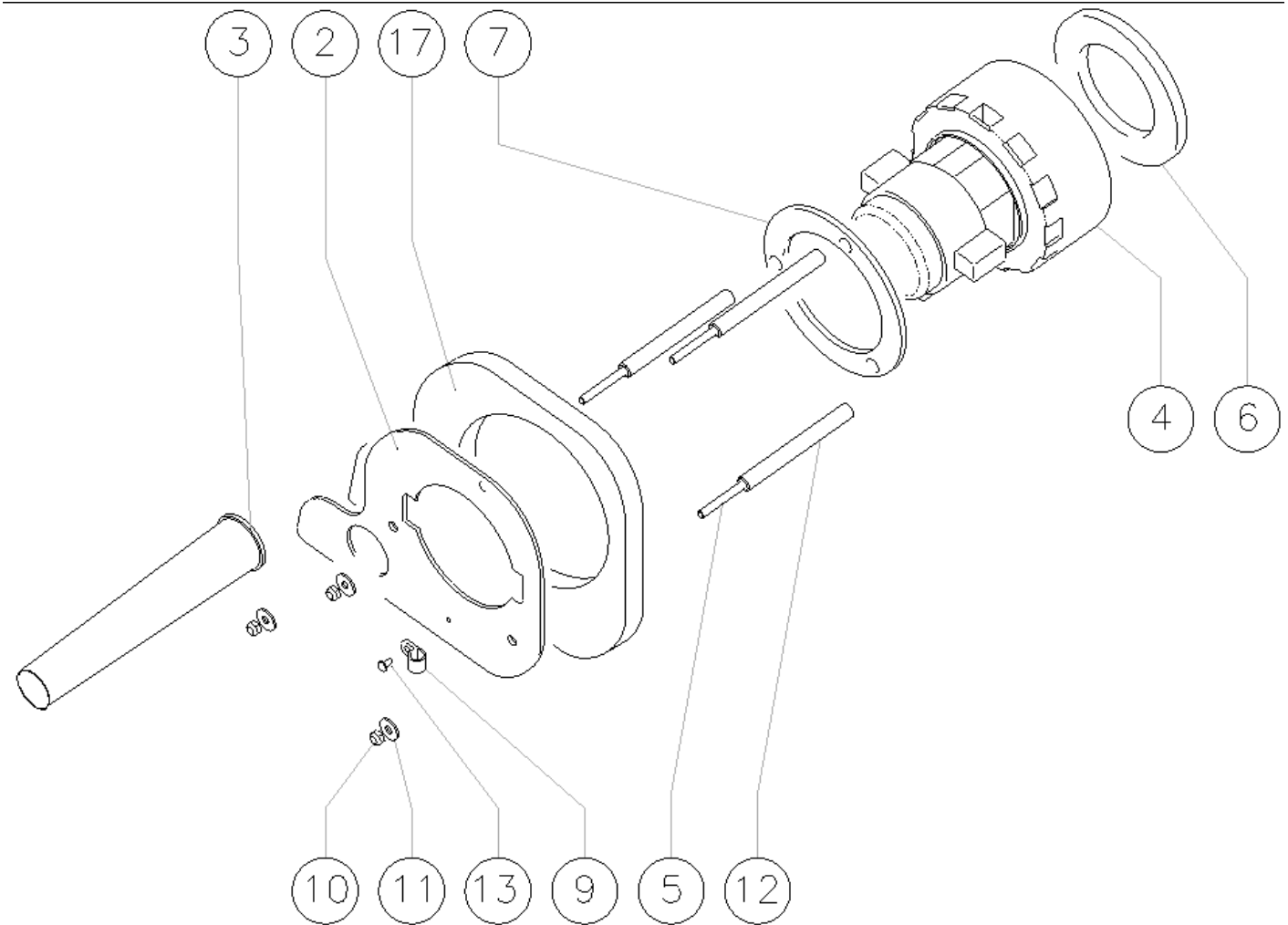
Ref.	K	Part N.	Customer Part N.	Description	Qty	Validity:		Price
						From	To	
0001		FTAC48857		FILTER ASP. ACQUA SERB. LAVAP.	1,00			--
0004		MPVR48695		PIN SHK.BK	2,00			--
0006		KTRI03463		CAP SCARICO SERBATOIO SOLUZ.	1,00		11/2011	--
0006		MPVR08003		CAP	1,00	12/2011		--
0007		VTRS15144		WASHER D. 6 INX GRW UNI 1751	1,00			--
0008		VTVT01303		SCREW TE M6-10 INOX	1,00			--
0009		LAFN06489		PLATE	1,00			--
0010		LAFN05862		ROD RUBINETTO	1,00			--
0015		FSVR00099		CLAMP FERMATUBO	2,00			--
0016		VTRS00515		WASHER D. 4 INX	2,00			--
0017		VTVT48694		SCREW TCB TC 5 X12 UNI 9707 TZ	2,00			--
0018		VTVT37012		SCREW M 4X 10 TCB-TC INX	2,00			--
0019		VTVT15961		SCREW M 5X 16 TCB TC UNI 7687	1,00			--
0020		PMVR02028		RUBBER GRUPPO MONTAGGIO	2,00			--
0021		VTVR48693		INSERT M6 D.9	1,00			--
0022		MPVR49471		LEVER SHK	1,00			--
0023		VTDD01694		NUT M 6 INX	1,00			--
0024		VTVT15143		SCREW TE 6X16 UNI5739	1,00			--
0025		VTRS13945		WASHER D. 6X18 INX UNI 6593	1,00			--
0027		KTRI03463		CAP SCARICO SERBATOIO SOLUZ.	1,00		11/2011	--
0027		MPVR08003		CAP	1,00	12/2011		--
0028		MPVR51085		FLAP POSTER.TERGI 950 MAGG.	1,00			--
0029		VTVT15916		SCREW TE M 8X 16 UNI 5739 A2	4,00			--
0030		VTRS13947		WASHER D. 8 INX UNI 6592	4,00			--
0031		VTRS00269		WASHER D. 8 DIN 6798-A INX A2	4,00			--
0032		GUGO00267		GASKET FILTRO	1,00			--



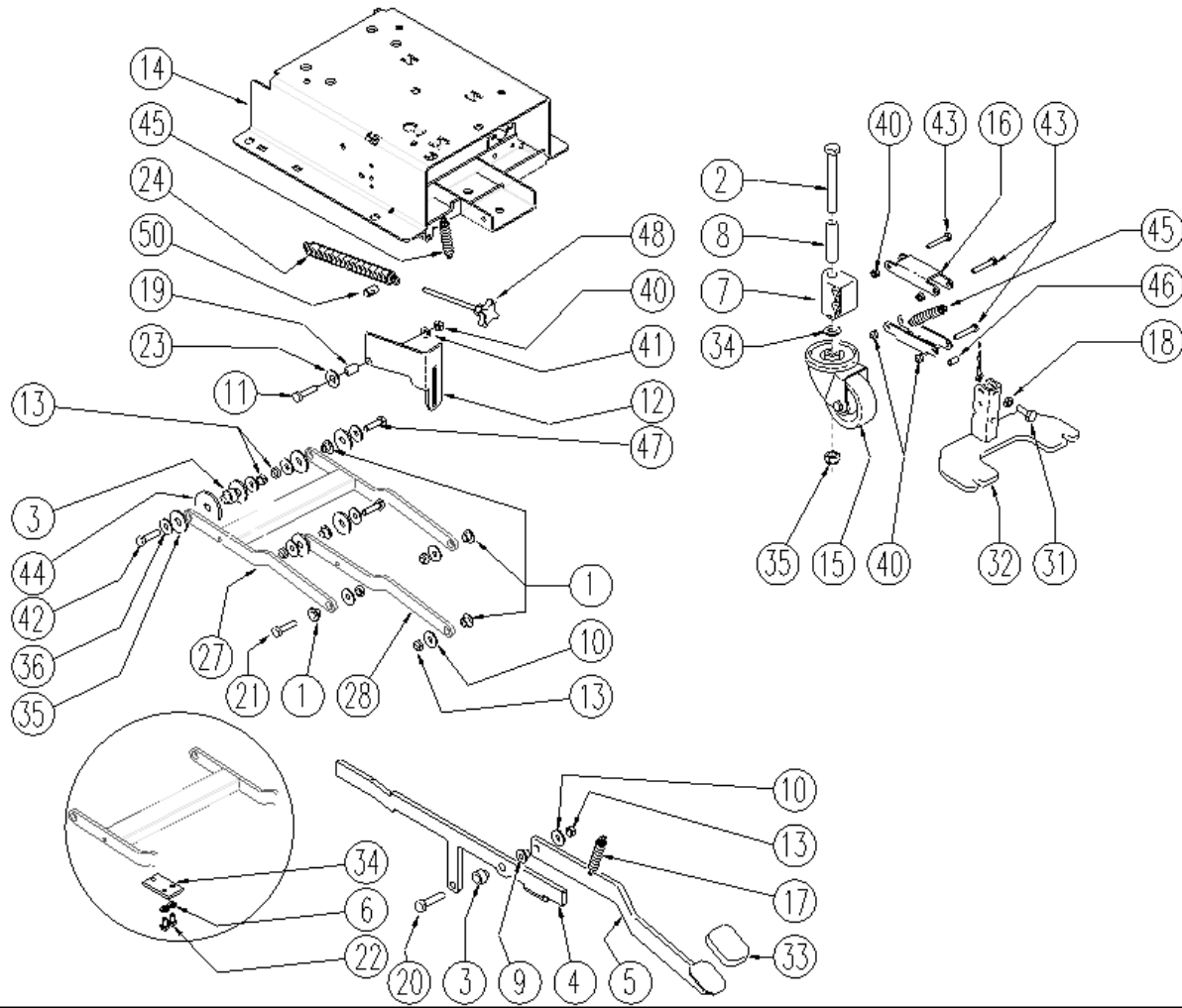
Ref. K	Part N.	Customer Part N.	Description	Qty	Validity:		Price
					From	To	
0001	TBFX00308		TUBE L=580MM	1,00			--
0002	FSVR00091		CLAMP 14-24	4,00			--
0003	MLML00002		SPRING PRESTOLA DOPPIA 8P	2,00			--
0005	MEEV00018		SOLENOID VALVE	1,00			--
0006	VTRS00516		WASHER D. 5 INX	2,00			--
0007	VTVT48694		SCREW TCB TC 5 X12 UNI 9707 TZ	2,00			--
0008	RCVR00536		CONNECTOR PORTAG.	1,00			--
0009	LAFN07644		TAP -	1,00			--
0010	MPVR05221		FILTER COMPLETO	1,00			--
0011	RCDS49622		CONNECTOR OCC 1/2 - 1/2M	1,00			--
0012	VTRS00567		WASHER 1/2	2,00			--
0014	LAFN05902		LEVER RUBINETTO	1,00			--
0015	VTRS00251		WASHER 4-16 INOX A2	1,00			--
0016	VTVT00633		SCREW M 3X 20 TCB-TC BK.U.7687	1,00			--
0017	TBFX49101		TUBE FLEX D.34 CPL.SHK	1,00			--
0018	GUGO00268		GASKET D.21 SP.3 GOMMA	1,00			--
0019	RCVR00353		CAP 1/2"G X ELETTROV. ACL	1,00			--
0022	MECB01119		WIRING	1,00			--



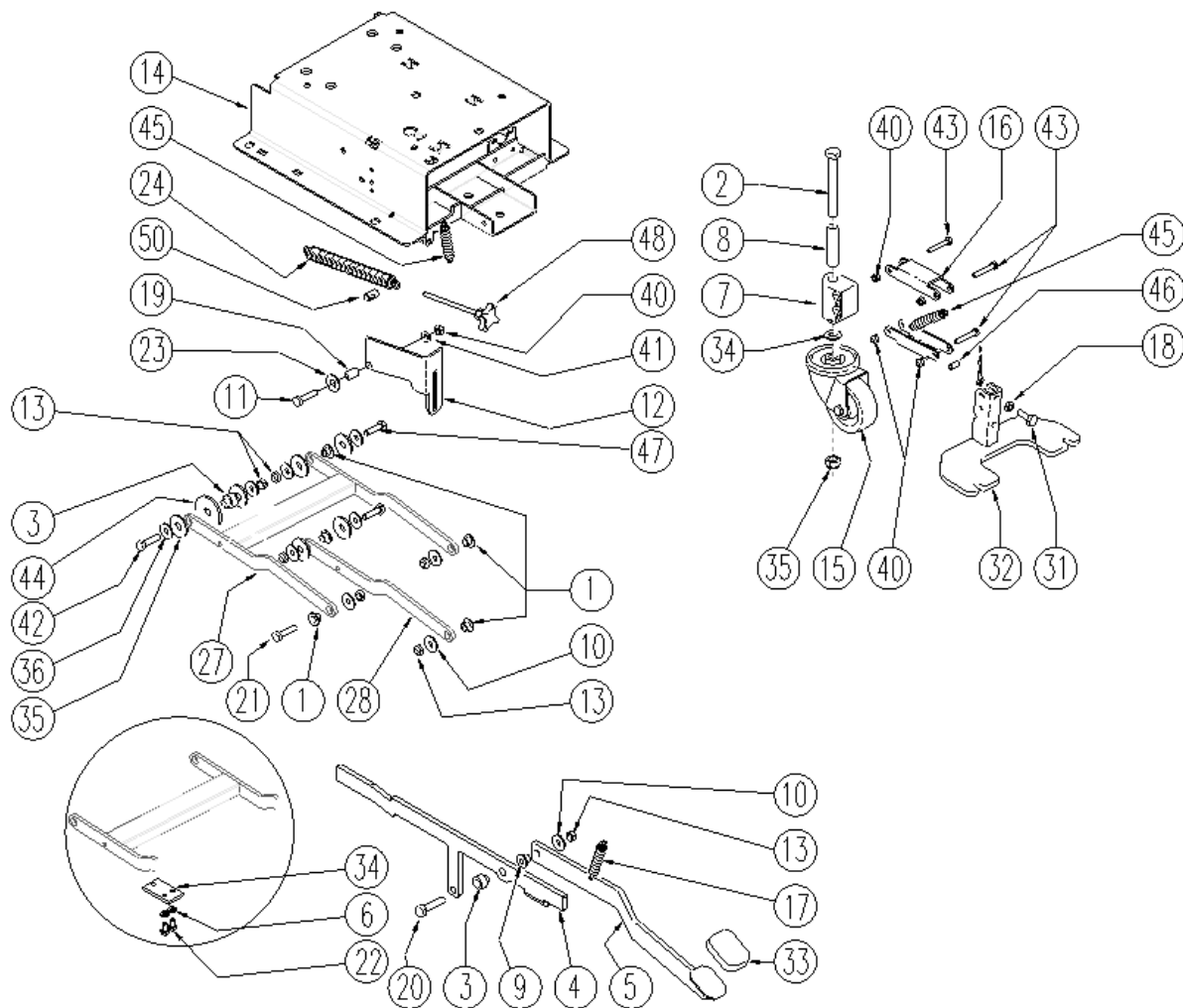
Ref. K	Part N.	Customer Part N.	Description	Qty	Validity:		Price
					From	To	
0001	MPVR05610		CONNECTOR -	1,00			--
0002	TBBP00003		TUBE CRISTALLO 6X9	0,34			--
0003	LAFN07627		BUSHING -	1,00			--
0004	MEVR01669		CARBON X MOT.COD.MOCC00298	1,00			--
0004	MOCC00368		MOTOR -	1,00			--
0005	LAFN07630		BUSHING -	1,00			--
0006	LAFN07626		FLANGE -	1,00			--
0007	VTDD01694		NUT M 6 INX	3,00			--
0008	VTRS04026		WASHER D. 6X18X2.38	3,00			--
0009	ABGO00051		VIBRATION DAMP.-	3,00			--
0010	VTRS15144		WASHER D. 6 INX GRW UNI 1751	4,00			--
0011	VTVT15906		SCREW TE 6X 12 A2 UNI 5739	4,00			--
0012	VTRS04026		WASHER D. 6X18X2.38	3,00			--
0013	VTDD01694		NUT M 6 INX	3,00			--
0014	MFVR00134		DRIVE DISK SPAZZOLE	1,00			--



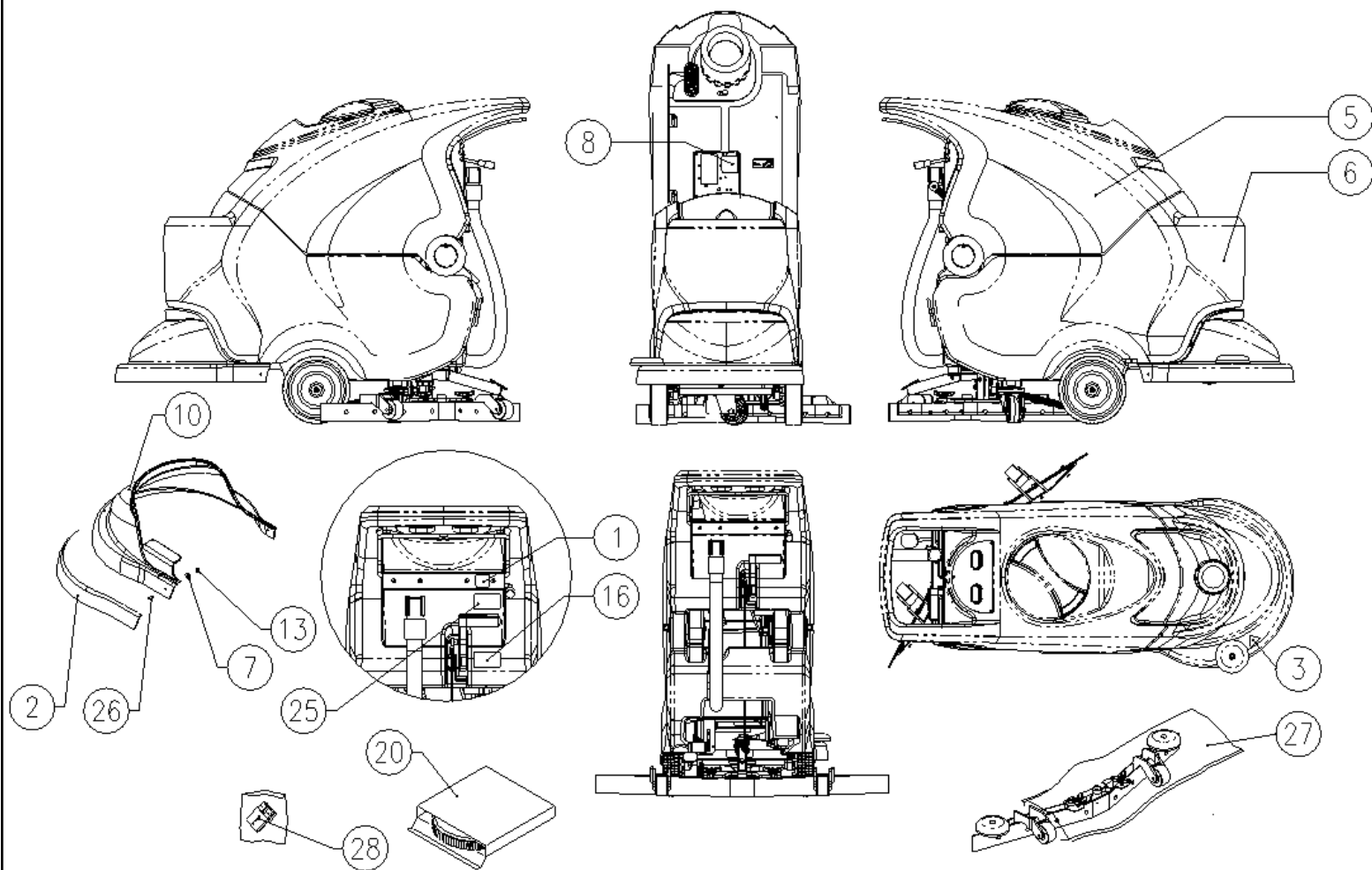
Ref. K	Part N.	Customer Part N.	Description	Qty	Validity:		Price
					From	To	
0002	LAFN06363		FLANGE ASPIRATORE	1,00			--
0003	MPVR05259		TUBE SCARICO	1,00			--
0004	MEVR05200		CARBON MOTORE ASP.AMET.116599-13	2,00			--
0004	MOCC00342		VACUUM CLEANER 24V	1,00			--
0005	VTVT00785		ROD FILETTO	3,00			--
0006	GUGO00272		GASKET	1,00			--
0007	MPVR04724		FLANGE IN NYLON	1,00			--
0009	FSVR00099		CLAMP FERMATUBO	1,00			--
0010	VTDD01694		NUT M 6 INX	3,00			--
0011	VTRS13945		WASHER D. 6X18 INX UNI 6593	3,00			--
0012	LAFN51077		SPACER PH	3,00			--
0013	VTVT00813		SCREW M 4X 8 TCB-TC UNI 8112	1,00			--
0017	MPVR05103		SOUND-PROOFING ASPIRATORE	1,00			--



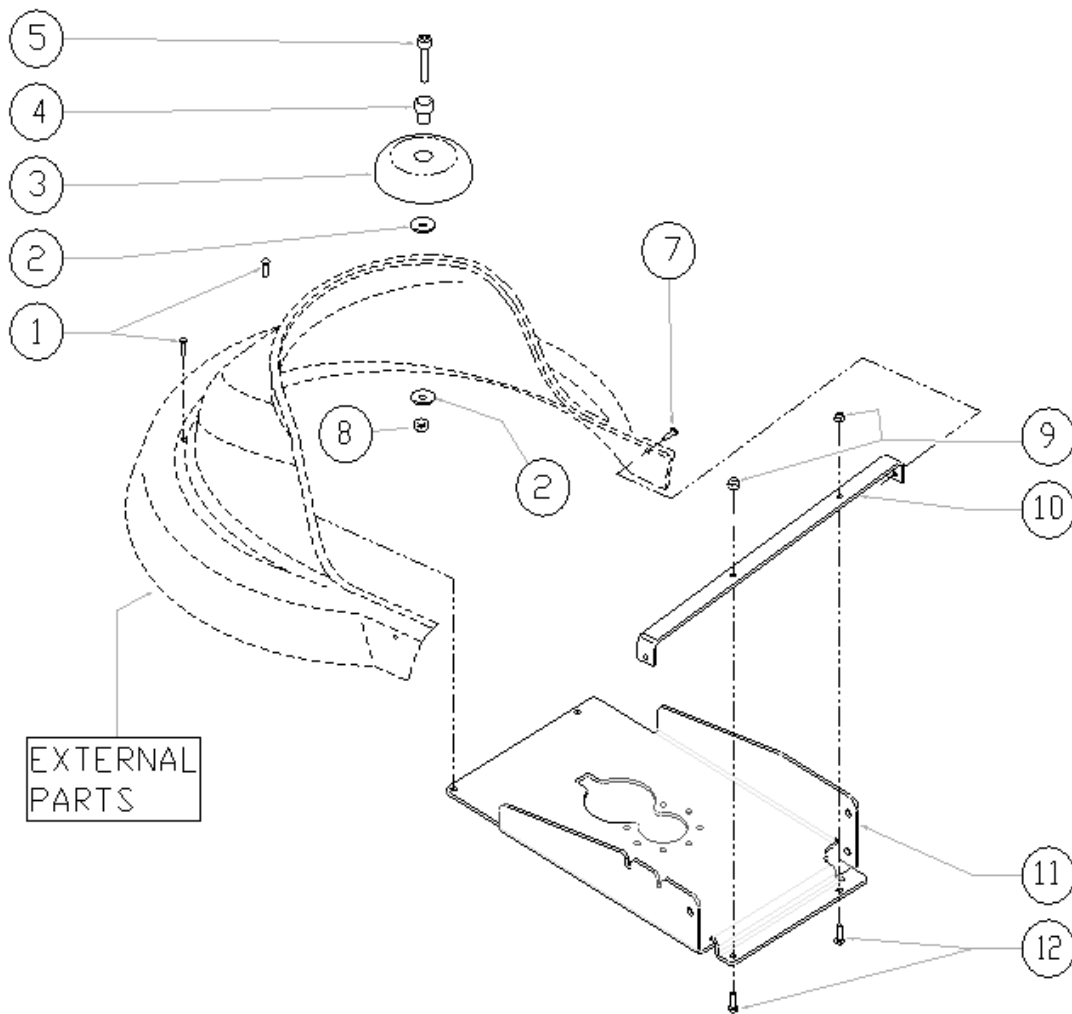
Ref.	K	Part N.	Customer Part N.	Description	Qty	Validity:		Price
						From	To	
0001		LAFN06391		BUSHING PARALLELOGRAMMA	5,00			--
0002		VTVT24212		SCREW TE M 12X100 UNI 5737 INOX	1,00			--
0003		LAFN04190		BUSHING PARALLELOGR.TEST.GR.	2,00			--
0004		LAFN07629		PEDALE -	1,00			--
0005		LAFN07602		LEVER -	1,00			--
0006		VTRS15144		WASHER D. 6 INX GRW UNI 1751	2,00			--
0007		MPVR04734		BLOCK TERGI	1,00			--
0008		LAFN04188		PIN ROTAZIONE SQUEEGEE	1,00			--
0009		LAFN51068	#8479.90.9498	BUSHING LEVA POSTER.	1,00			--
0010		VTRS13946		WASHER D. 8 X24 INX UNI 6593	4,00			--
0011		VTVT00161		SCREW TE M6X20	1,00			--
0012		LAFN10124		PLATE	1,00			--
0013		VTDD01695		NUT M 8 INX	7,00			--
0014		LAFN07733		FRAME -	1,00			--
0015		RTRT00518		WHEEL D.80	1,00			--
0016		LAFN05853		LEVER ARM SOLLEVAMENTO TERGI	2,00			--
0017		MLML34726		SPRING TR E350 N	1,00			--
0018		VTDD15521		NUT M 8 INX A2 UNI 5588	1,00			--
0019		LAFN03840		BUSHING	1,00			--
0020		VTVT15917		SCREW TE M 8X50 INOX A2 UNI	1,00			--
0021		VTVT15907		SCREW TE 8X25 UNI5739 INX	3,00			--
0022		VTVT15906		SCREW TE 6X 12 A2 UNI 5739	2,00			--
0023		VTRS00274		WASHER NYLON 66 D.8,4-17-2 UNI	1,00			--
0024		MLML31130		SPRING D. 17.5 X110 N38	1,00			--
0027		LAFN07727		ARM -	1,00			--
0028		LAFN06389		ARM PARALLELOGRAMMA	1,00			--
0031		VTVT00410		SCREW TE M8x35 UNI5739 INOX	1,00	04/2011		--
0031		VTVT13937		SCREW TE M 8X 30 INX UNI 5739	1,00		04/2011	--
0032		LAFN06355		PLATE SQUEEGEE	1,00		04/2009	--
0032		LAFN07560		PLATE -	1,00	04/2009		--
0033		MPVR05186		COVER -	1,00			--
0034		LAFN07650		BRACKET -	1,00			--
0035		MPVR35582		RUBBER LAV.	6,00			--
0036		VTRS13946		WASHER D. 8 X24 INX UNI 6593	6,00			--
0040		VTDD01694		NUT M 6 INX	5,00			--
0041		VTRS00245		WASHER D.6 UNI 6592 INOX	1,00			--
0042		VTVT00429		SCREW TE M 8X 40 INX UNI 5737	1,00			--
0043		VTVT01683		SCREW TE 6X40	4,00			--
0044		MPVR05134		GASKET D.60 FORO D.12 SP.2	1,00			--



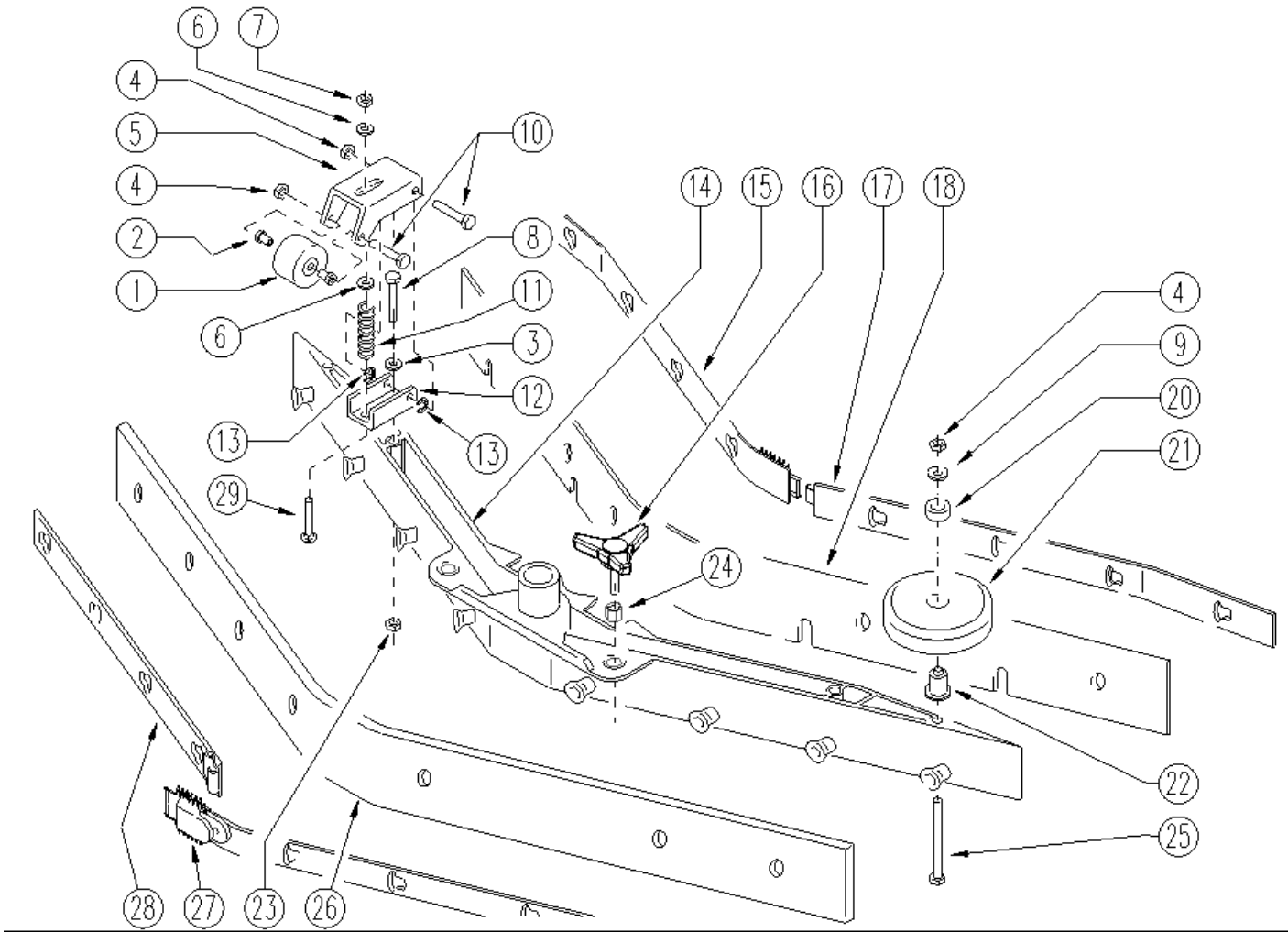
Ref. K	Part N.	Customer Part N.	Description	Qty	Validity:		Price
					From	To	
0045	MLML00303		SPRING REGISTRAZIONE FLAP	2,00			--
0046	LAFN06898		SPACER 6-8 h15	1,00			--
0047	VTVT00410		SCREW TE M8x35 UNI5739 INOX	2,00			--
0048	VTVR35749		HANDWHEEL M 6MAX110 D.35	1,00			--
0050	LAFN35747		SPRING SUPPORT LAV. E/B 450	1,00			--



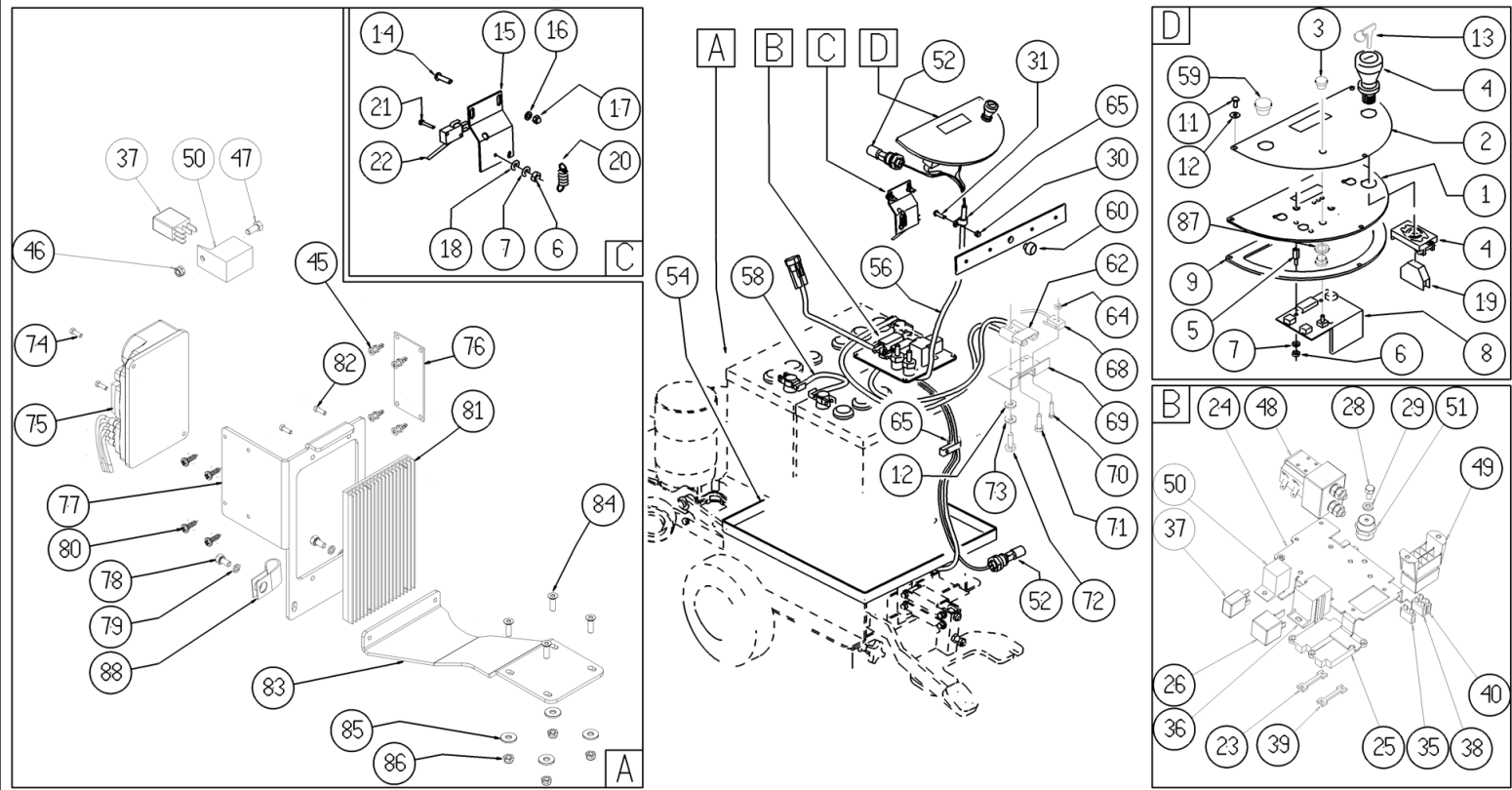
Ref.	K	Part N.	Customer Part N.	Description	Qty	Validity:		Price
						From	To	
0001		ETET01447		LABEL	1,00			--
0002		MPVR05611		SPLASH GUARD -	1,00			--
0003		ETET01014		ADHESIVE ATTENZ.ABRAS.ARTI	1,00			--
0005		MPVR05548		TANK -	1,00		09/2009	--
0005		MPVR05746		TANK -	1,00	09/2009		--
0006		MPVR05090		CARRYNG BAG	1,00			--
0008		ETET00763		LABEL SIMBOLO FUSIBILI	1,00			--
0010		MPVR04722		BRUSH PROTECT. 55	1,00			--
0016		ETET01407		PLATE APERTURA SERBATOIO	1,00			--
0020		SPPV01161		DRIVE DISK MICROFIBRE	1,00			--
0025		ETET01628		LABEL CT40	1,00			--
0027		MIVR00048		TUBE UNIBOL	1,00			--
0028		MEVR01079		PLUG M CB50 A 600V RD.	1,00			--



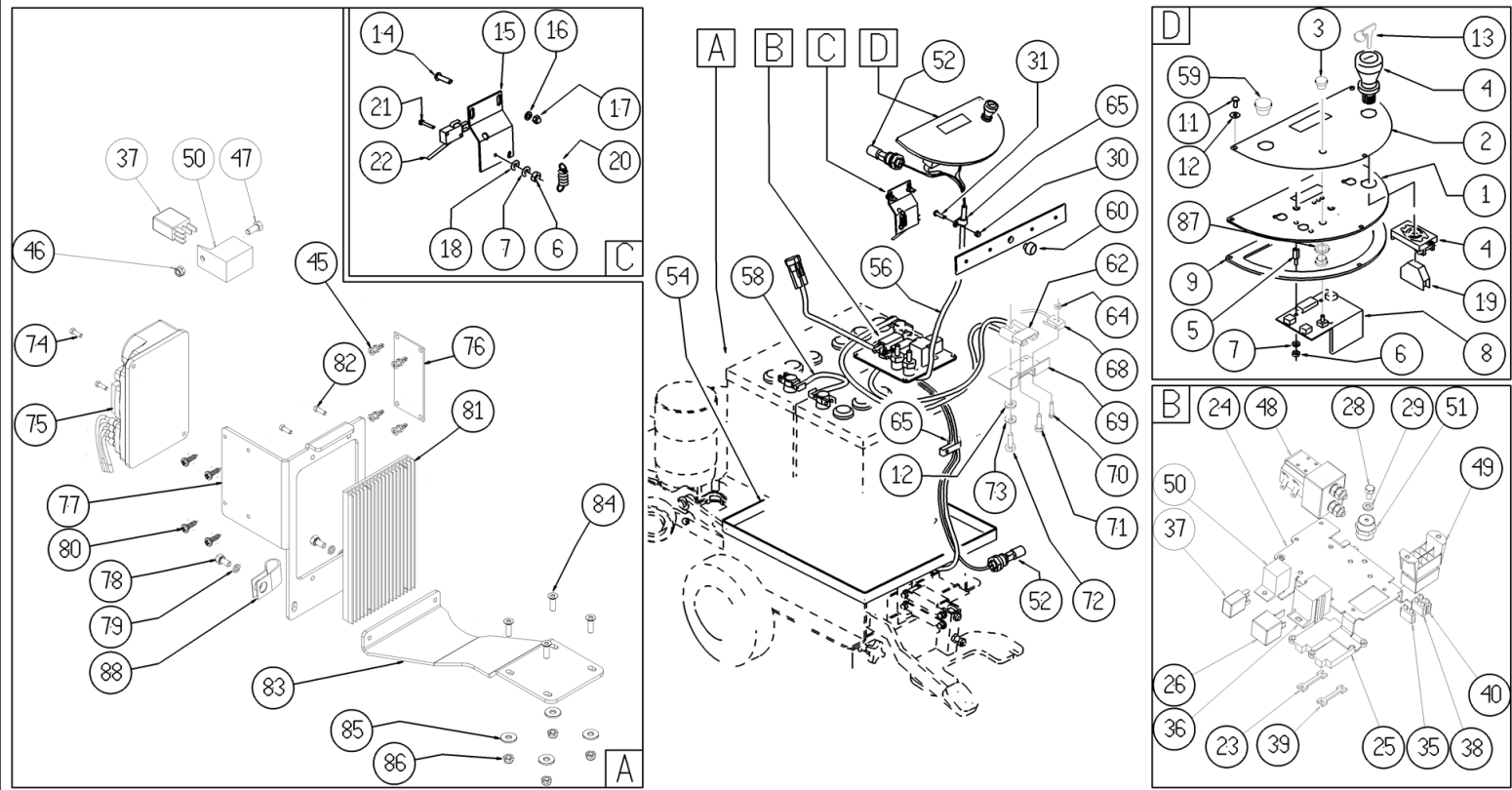
Ref.	K	Part N.	Customer Part N.	Description	Qty	Validity:		Price
						From	To	
0001		VTVT00659		SCREW TC+ M. 4-15	2,00		02/2010	--
0001		VTVT01366		SCREW M4X16	2,00	02/2010		--
0002		VTRS13946		WASHER D. 8 X24 INX UNI 6593	2,00			--
0003		RTRT43370		CASTER D.100 2V.	1,00			--
0004		LAFN03915		BUSHING NUOVO RUOTINO STRONG	1,00			--
0005		VTVT00822		SCREW TCEI M 8-30	1,00	06/2009		--
0005		VTVT17349		SCREW TCEI M 8X30	1,00		06/2009	--
0006		MEVR01281		SPACER	2,00			--
0007		VTVT01366		SCREW M4X16	2,00			--
0008		VTDD01695		NUT M 8 INX	1,00			--
0009		VTDD15518		NUT M 6 INX	2,00			--
0010		LAFN05899		SUPPORT BRACKET CARTER 1 EXTREME	1,00			--
0011		LAFN07373		PLATE RIDUTTORE	1,00	02/2010		--
0011		LAFN07747		PLATE -	1,00		02/2010	--
0012		VTVT15143		SCREW TE 6X16 UNI5739	2,00			--
0016		LAFN04039		THICKNESS	1,00			--



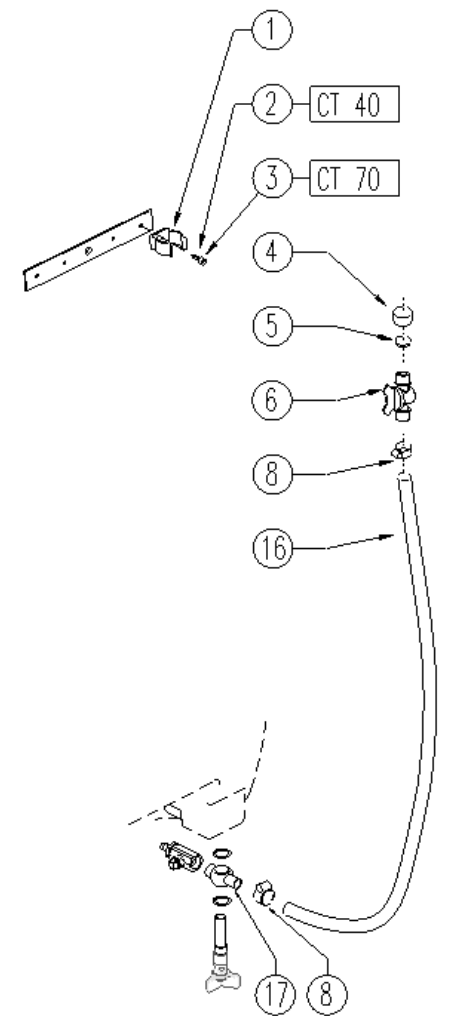
Ref.	K	Part N.	Customer Part N.	Description	Qty	Validity:		Price
						From	To	
0001		RTRT00379		WHEEL	2,00			--
0002		LAFN40138		SPACER	4,00			--
0003		VTRS15144		WASHER D. 6 INX GRW UNI 1751	4,00			--
0004		VTDD01694		NUT M 6 INX	4,00			--
0005		LAFN05559		SUPPORT RUOTINO	2,00			--
0006		VTRS13947		WASHER D. 8 INX UNI 6592	4,00			--
0007		VTDD01695		NUT M 8 INX	2,00			--
0008		VTVT15142		SCREW TE M 6x45 INOX	2,00			--
0009		VTRS15144		WASHER D. 6 INX GRW UNI 1751	2,00			--
0010		VTVT15515		SCREW TE M 6X 50 INOX A2	4,00			--
0011		MLML49422		SPRING D.15X 45 X1	2,00			--
0012		LAFN51069		BRACKET SUPP.RUOTINO SQUEEGEE	2,00			--
0013		VTAE45707	#8479.90.9498	CIRCLIP D. 6 UNI 7434 INOX	4,00			--
0014		KTRI02051		BODY SQUEEGEE PRESSOFUSO "XS"	1,00			--
0015		LAFN51042		LAMINATION BLOCCA LAMA ANTER.SX XS	1,00			--
0016		MPVR05265		KNOB 8X25	2,00			--
0017		LAFN51043		LAMINATION BLOCCA LAMA ANTER.DX XS	1,00			--
0018		MPVR51017		BLADE ANTER.TERGI XS	1,00			--
0020		MPVR49229		BUSHING SHK	2,00			--
0021		MPVR05290		ROLLER PARACOLPI	2,00			--
0022		LAFN04100		SPACER PER RUOTINO PARACOLPI	2,00			--
0023		VTDD15520		NUT M 6 A2 UNI 5588 INX	4,00			--
0024		VTVR00022		INSERT FILETTATO ESAGONALE M8	2,00			--
0026		MPVR51016		BLADE POST.TERGI XS	1,00			--
0027		LAFN51041		LAMINATION BLOCCA LAMA POST.DX XS	1,00			--
0028		LAFN51040		LAMINATION BLOCCA LAMA POST.SX XS	1,00			--
0029		VTVT01304		SCREW M 8X 40 TTQST UNI 5731	2,00			--



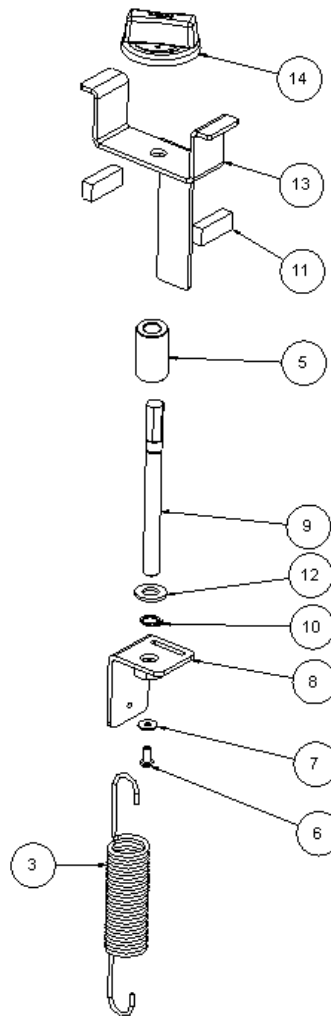
Ref.	K	Part N.	Customer Part N.	Description	Qty	Validity: From To	Price
0001		LAFN06901		SUPPORT PLANCIA	1,00		--
0002		ETET01633		LABEL -	1,00		--
0003		MPVR02944		CAP DOPPIO DI FISSAGGIO	2,00		--
0004		MECI00402		BUTTON A FUNGO	1,00		--
0005		VTVR00481		INSERT FILETTATO M6	3,00		--
0006		VTDD21115		NUT M 3 INOX	5,00		--
0007		VTRS00268		WASHER D.3	5,00		--
0008		MECE00523		BOARD CT40 B50 ECS	1,00		--
0009		GUGO38417		GASKET PANN.COM.EXTREME	1,00		--
0010		RTRT34715		CASTER D. 8/13 E 350	2,00		--
0011		VTVT37012		SCREW M 4X 10 TCB-TC INX	3,00		--
0012		VTRS00515		WASHER D. 4 INX	3,00		--
0013		CHVR00051	#8479.90.9498	DIASSASS.SPANNERPULSANTE FUNGO	1,00		--
0014		VTVT07725		SCREW TE 5X16 UNI5739 INX	2,00		--
0015		LAFN05904		PLATE MICRO LEVA	1,00		--
0016		VTRS00516		WASHER D. 5 INX	2,00		--
0017		VTDD01693		NUT M 5 INX	6,00		--
0018		VTRS21116		WASHER D. 3 INX	2,00		--
0019		MECI00403		CONTACT -	1,00		--
0020		MLML34726		SPRING TR E350 N	1,00		--
0021		VTVT01316		SCREW TC+ M3-16	2,00		--
0022		MECI36393		MICROSWITCH TRZ. DRW	1,00		--
0023		MEVR01975		RUBBER DEVIATORE	1,00		--
0026		MERL00006		SWITCH RELAY R502 024 H3M 1NO 80A	1,00		--
0030		VTDD15925		NUT M 4 INX	1,00		--
0031		VTVT00704		SCREW TE M 4X 16 UNI5739 INOX	1,00		--
0037		MECE00456		RELAY CT110	1,00		--
0045		MEVR01982		SUPPORT -	4,00		--
0046		VTDD01693		NUT M 5 INX	1,00		--
0047		VTVT01300		SCREW TE M5X12 INOX	1,00		--
0048		METT00079		CONTACTOR E TL 10P 24V 100A	1,00		--
0052		MECI00516		SENSOR DI LIVELLO ORIZZONTALE	2,00		--
0054		LAFN35588		BATTERY SUPPORTLAV. BT	1,00		--
0056		MECB01119		WIRING	1,00		--
0058		MEVR34820		WIRING B 450 BT	1,00		--
0059		RCVR00165		CARRYNG BAG	1,00		--
0060		MPVR00043		CAP CHIUS.FORO PORTAFUS.L 15	1,00		--
0062		MEVR01079		PLUG M CB50 A 600V RD.	1,00		--
0064		VTDD08634		NUT M2	2,00		--



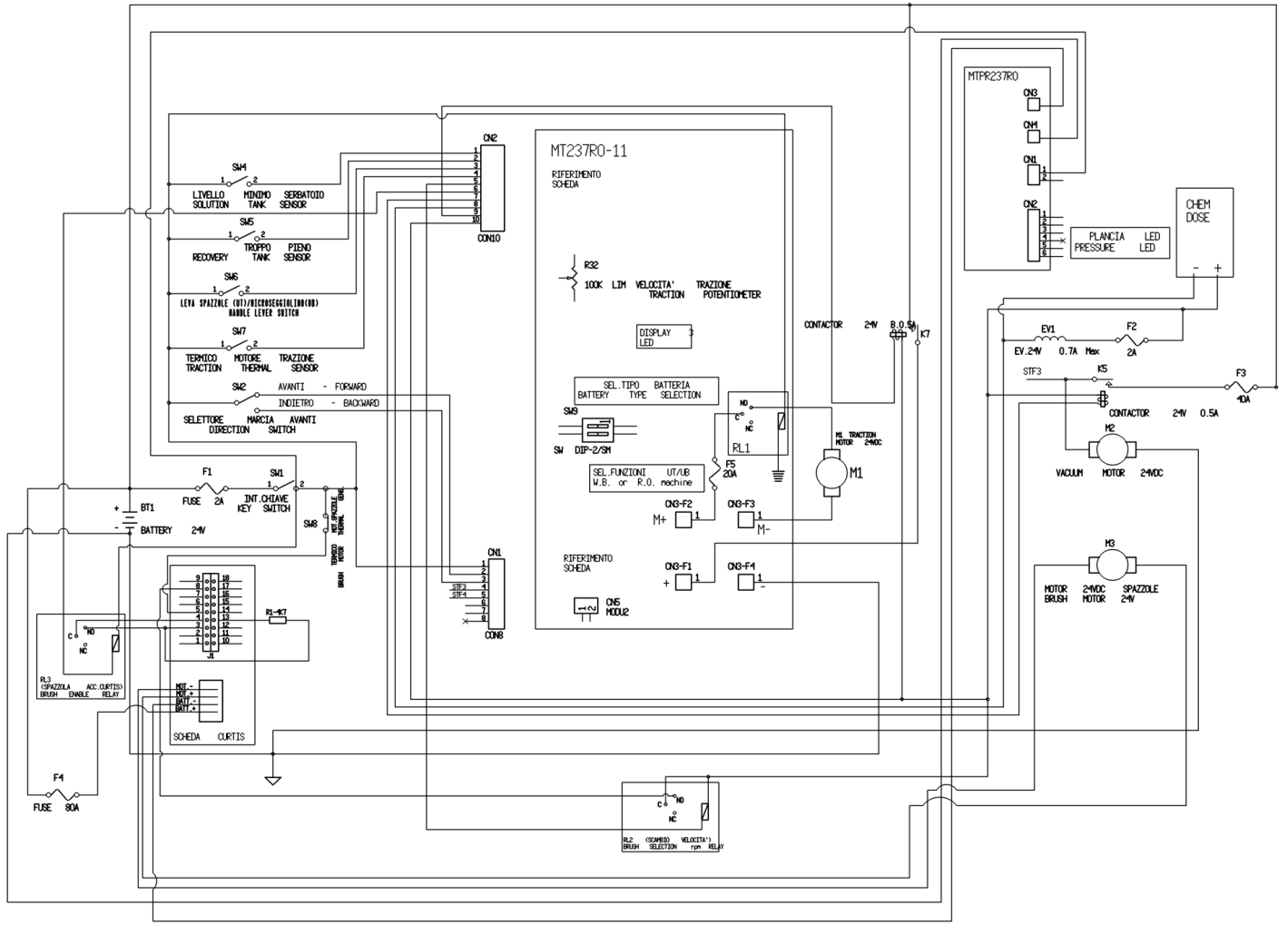
Ref.	K	Part N.	Customer Part N.	Description	Qty	Validity:		Price
						From	To	
0065		FSVR00099		CLAMP FERMATUBO	2,00			--
0068		MECI00334		MICROSWITCH V4	1,00			--
0069		LAFN06409		SUPPORT -	1,00			--
0070		VTVT00671		SCREW TC- M.2-16 OTTONE	2,00			--
0071		VTVT00872		SCREW TSP+ 2.9X13 AUTOFIL. INOX	1,00			--
0072		VTVT00814		SCREW TE M.4-25	2,00			--
0073		VTRS15913		WASHER D. 4 GROVER A2 UNI1751	2,00			--
0074		VTVT00659		SCREW TC+ M. 4-15	2,00			--
0075		MECE00493		BOARD 70A	1,00			--
0076		MECE00491		BOARD LED	1,00			--
0077		LAFN07640		SUPPORT -	1,00			--
0078		VTVT15906		SCREW TE 6X 12 A2 UNI 5739	2,00			--
0079		VTRS15144		WASHER D. 6 INX GRW UNI 1751	2,00			--
0080		VTVT00040		SCREW AUTOF.TC UNI6954 3,5X10SP	4,00			--
0081		LAFN07642		PLATE -	1,00			--
0082		VTVT08011		SCREW TE M 5X 12 DIN7500 FRM.D	4,00			--
0083		LAFN07732		BRACKET -	1,00			--
0084		VTVT13940		SCREW M 6X 20 TSPEI UNI 5933	4,00			--
0085		VTRS13945		WASHER D. 6X18 INX UNI 6593	4,00			--
0086		VTDD01694		NUT M 6 INX	4,00			--
0087		MPVR35582		RUBBER LAV.	1,00			--
0088		FSVR00043		CLAMP d.16	1,00	06/2011		--



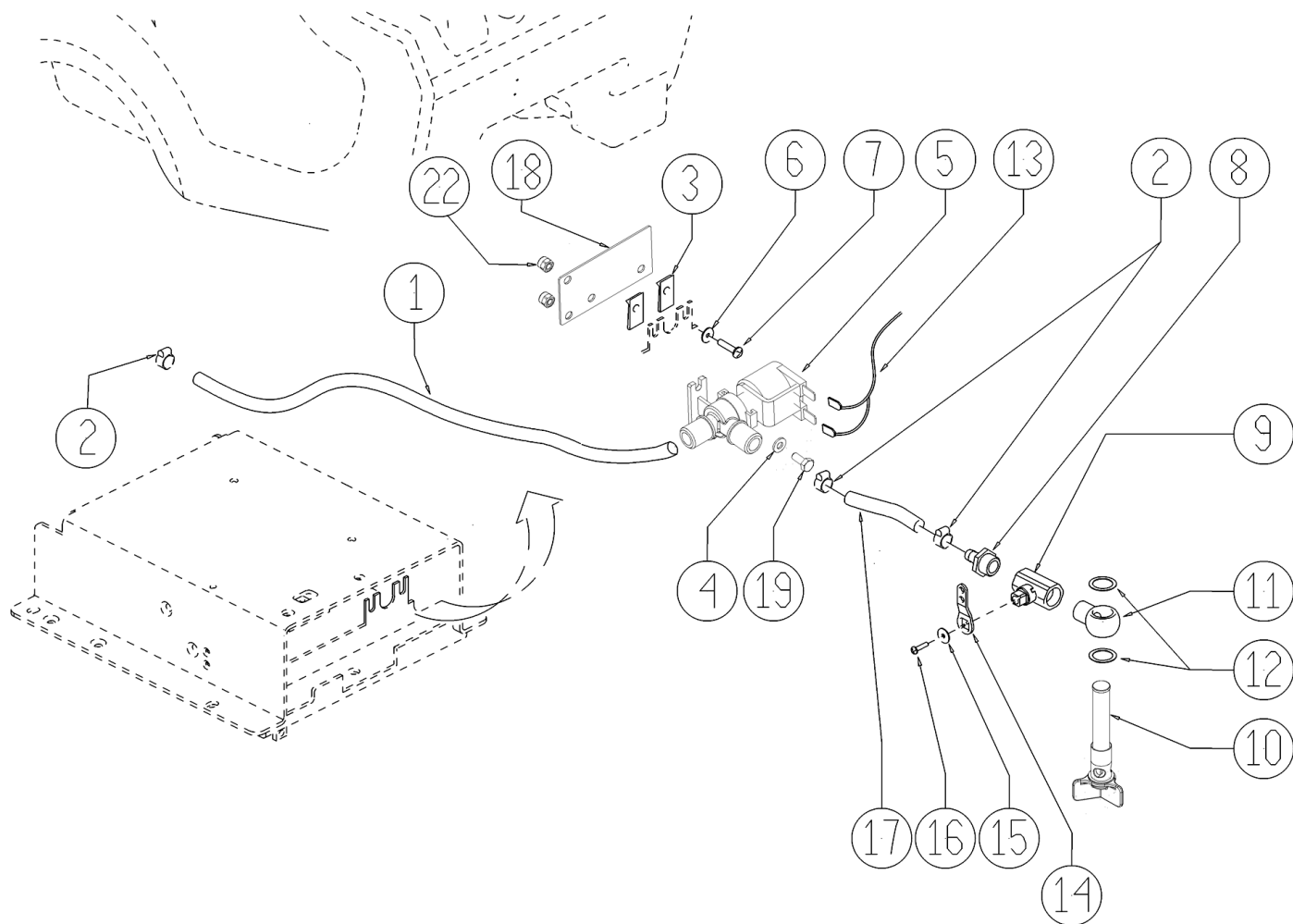
Ref. K	Part N.	Customer Part N.	Description	Qty	Validity:		Price
					From	To	
0001	MPVR05280		CLIP M25	1,00			--
0002	VTVT19236		SCREW TCEI 5X20 UNI 5931	1,00			--
0003	VTVT01327		SCREW TCEI 5X25 UNI5931	1,00			--
0004	RCVR00353		CAP 1/2"G X ELETTROV. ACL	1,00			--
0005	GUGO00268		GASKET D.21 SP.3 GOMMA	1,00			--
0006	RCVR00590		CONNECTOR 1/2 M RESCA 15	1,00			--
0008	FSVR00428		CLAMP D. 12-20	4,00			--
0016	TBBP00435		TUBE D.16	1,00			--
0017	RCVR00747		CONNECTOR G 1/2	1,00			--



Ref. K	Part N.	Customer Part N.	Description	Qty	Validity:		Price
					From	To	
0003	MLML00234		SPRING TESTATA LINEA 3	1,00			--
0005	MPVR05631		SPACER PVC	1,00			--
0006	VTVT21887		SCREW TCB-TC 4X10 8112	1,00			--
0007	VTRS00251		WASHER 4-16 INOX A2	1,00			--
0008	LAFN07459		SUPPORT -	1,00			--
0009	LAFN07457		SUPPORT -	1,00			--
0010	VTAE13511		CIRCLIP D. 10 UNI 7435	1,00			--
0011	GUGO00315		MOUSSE CT25	2,00			--
0012	VTRS15523		WASHER D.10 X21 INOX UNI 6592	1,00			--
0013	LAFN07458		SUPPORT -	1,00			--
0014	MPVR31050		KNOB E 350N	1,00		07/2009	--
0014	MPVR75768		KNOB	1,00	07/2009		--



Ref. K	Part N.	Customer Part N.	Description	Qty	Validity:		Price
					From	To	
EV1	MEEV00018		SOLENOID VALVE	1,00			--
M1	MOCC00348		MOTOR AOMPDIF 24V 145W	1,00			--
M2	MOCC00342		VACUUM CLEANER 24V	1,00			--
M3	MOCC00368		MOTOR -	1,00			--
SW4	MECI00516		SENSOR DI LIVELLO ORIZZONTALE	1,00			--
SW5	MECI00516		SENSOR DI LIVELLO ORIZZONTALE	1,00			--
SW6	MECI36393		MICROSWITCH TRZ. DRW	1,00			--



Ref. K	Part N.	Customer Part N.	Description	Qty	Validity:		Price
					From	To	
0001	TBFX48011		TUBE FLEX D.12X3 ARMORV.PVC TR	0,71			--
0002	FSVR00428		CLAMP D. 12-20	4,00			--
0003	MLML00002		SPRING PRESTOLA DOPPIA 8P	2,00		05/2011	--
0004	VTRS00515		WASHER D. 4 INX	2,00			--
0005	MEEV00036		SOLENOID VALVE	1,00			--
0006	VTRS00516		WASHER D. 5 INX	2,00		05/2011	--
0007	VTVT48694		SCREW TCB TC 5 X12 UNI 9707 TZ	2,00		05/2011	--
0008	RCVR00536		CONNECTOR PORTAG.	1,00			--
0009	LAFN07644		TAP -	1,00			--
0010	MPVR05221		FILTER COMPLETO	1,00			--
0011	RCDS49622		CONNECTOR OCC 1/2 - 1/2M	1,00			--
0012	VTRS00567		WASHER 1/2	2,00			--
0013	MECB01119		WIRING	1,00			--
0014	LAFN05902		LEVER RUBINETTO	1,00			--
0015	VTRS00251		WASHER 4-16 INOX A2	1,00			--
0016	VTVT00633		SCREW M 3X 20 TCB-TC BK.U.7687	1,00			--
0017	TBFX48011		TUBE FLEX D.12X3 ARMORV.PVC TR	0,11			--
0018	LAFN08843		PLATE -	1,00		05/2011	--
0019	VTVT01158		SCREW M4x16	2,00	05/2011		--
0019	VTVT21096		SCREW TE M 4X 10 INX	2,00		05/2011	--
0022	VTDD00055		NUT M 4 ATB A2	2,00		05/2011	--